



IMP - COPRAR



Implementation Guide

Container loading order message (COPRAR)



Business Integration for the Port of Hamburg

Version 0.9

DAKOSY
Datenkommunikationssystem AG
Mattentwiete 2
20457 Hamburg
Telefon: 040 370 03 – 0 Fax: - 370

Erstellt von	IMP Arbeitsgruppe	2011
Geprüft von	: IMP Arbeitsgruppe	
Freigegeben von	:	
Aktuelle Version auf:	http://www.imp-hamburg.de/	
Datei	: coprar_imp_en.doc	
Verwendungshinweis	:	



IMP - COPRAR



Change History

Version	Concerned section	Reason	Name	Date
0.9		First version	Schwanke	2011-02-10

For change requests please contact:

DAKOSY
Datenkommunikationssystem AG
- EDI Services -
Mattentwiete 2
20457 Hamburg
Telefon:040 / 37003-0
Fax: 040/37003-370
Email: info@dakosy.de



IMP - COPRAR



Table of Contents:

1	INTRODUCTION.....	4
2	MESSAGE STRUCTURE.....	5
3	BRANCHING DIAGRAM.....	6
4	SEGMENT DESCRIPTION.....	16



IMP - COPRAR



1 Introduction

The implementation guide to the UN/EDIFACT “Container loading order message (COPRAR)” is based on the description (version 1.2) provided by SMDG. Further information can be found at www.smdg.org.

The descriptions have been merely complemented with ZAPP relevant specifics and comments.



2 Message Structure

Counte	No	Tag	St	MaxOcc	Level	Content
0000	1	UNA	C	1	0	SERVICE STRING ADVICE
0000	2	UNB	M	1	0	INTERCHANGE HEADER
0010	3	UNH	M	1	0	Message header
0020	4	BGM	M	1	0	Beginning of message
0030	5	FTX	C	9	1	Free text
0040	6	RFF	M	9	1	Reference
0050		SG1	M	1	1	TDT-RFF-LOC-DTM-DTM
0060	7	TDT	M	1	1	Details of transport
0070	8	RFF	C	9	2	Reference
0080	9	LOC	R	9	2	Place/location identification
0090	10	DTM	C	1	2	Date/time/period
0090	11	DTM	C	1	2	Date/time/period
0110		SG2	M	9	1	NAD-CTA
0120	12	NAD	M	1	1	Name and address
0130	13	CTA	C	9	2	Contact information
0140		SG3	M	9999	1	EQD-RFF-EQN-TMD-LOC-LOC-MEA-DIM-TMP-RNG-SEL-FTX-DGS-EQA-SG4-NAD
0150	14	EQD	M	1	1	Equipment details
0160	15	RFF	C	1	2	Booking Number
0170	16	EQN	D	1	2	Number of units
0180	17	TMD	C	9	2	Transport movement details
0200	18	LOC	R	9	2	Port of Discharge
0200	19	LOC	C	1	2	Place of Delivery (Final destination)
0210	20	MEA	R	9	2	Measurements
0220	21	DIM	D	9	2	Dimensions
0230	22	TMP	D	9	2	Temperature
0240	23	RNG	O	9	2	Range details
0250	24	SEL	O	9	2	Seal number
0260	25	FTX	O	9	2	Free text
0270	26	DGS	D	9	2	Dangerous goods
0280	27	EQA	O	9	2	Attached equipment
0290		SG4	O	1	2	TDT-RFF-LOC-DTM
0300	28	TDT	R	1	2	Details of transport
0310	29	RFF	D	9	3	Reference
0320	30	LOC	O	9	3	Place/location identification
0330	31	DTM	O	9	3	Date/time/period
0340	32	NAD	D	1	2	Name and address
0350	33	CNT	R	1	0	Control total
0360	34	UNT	R	1	0	Message trailer
0000	35	UNZ	R	1	0	INTERCHANGE TRAILER



IMP - COPRAR



3 Branching Diagram



IMP - COPRAR



1

Level 0

UNA	
C	1
1	
0000	

UNB	
M	1
2	
0000	

UNH	
M	1
3	
0010	

BGM	
M	1
4	
0020	

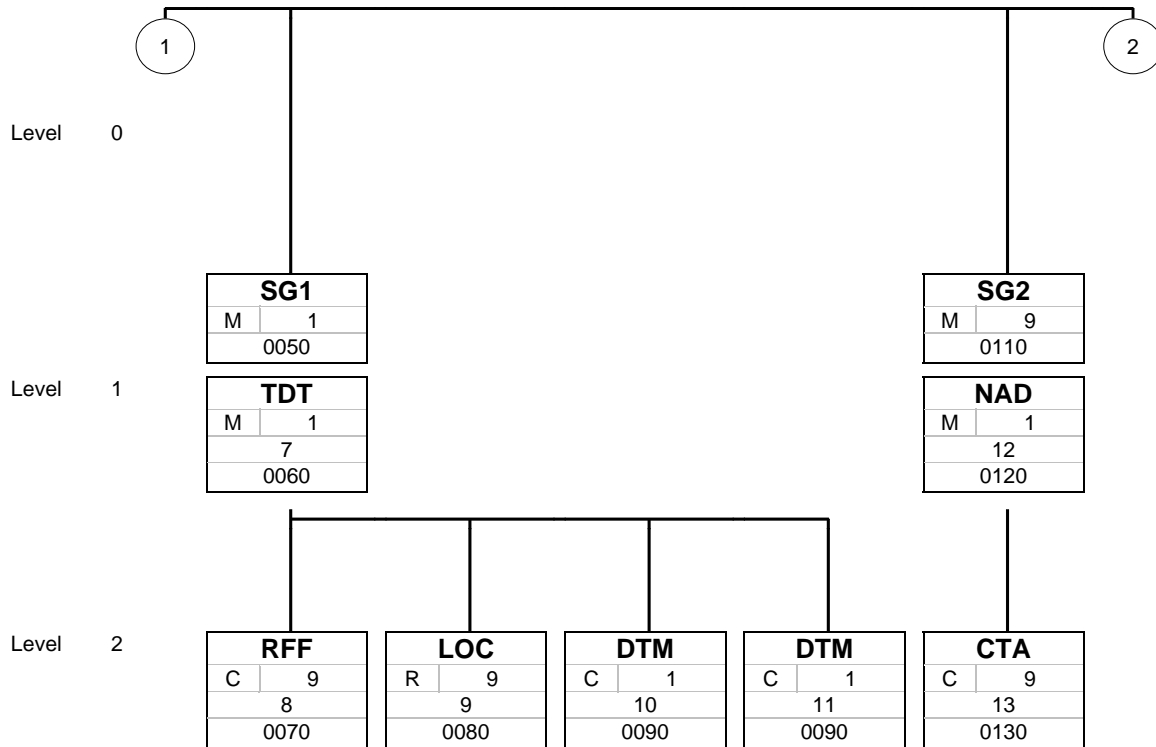
Level 1

FTX	
C	9
5	
0030	

RFF	
M	9
6	
0040	

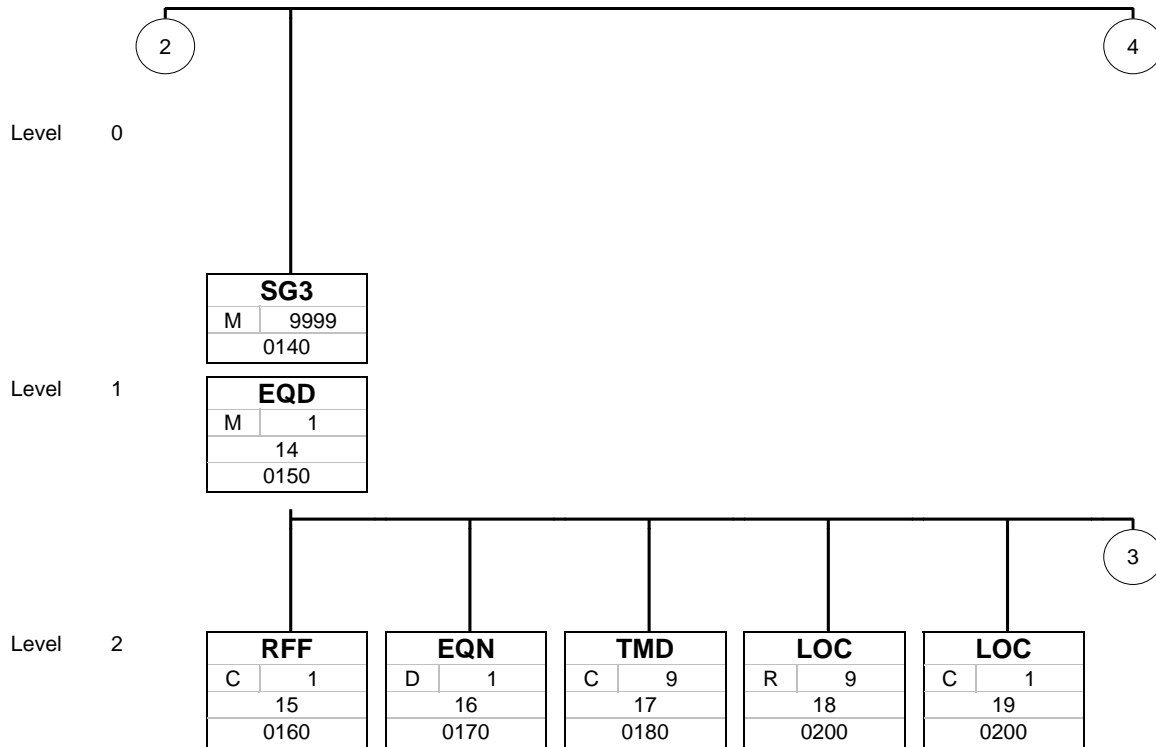


IMP - COPRAR





IMP - COPRAR





IMP - COPRAR



Level 2

MEA	
R	9
20	
0210	

DIM	
D	9
21	
0220	

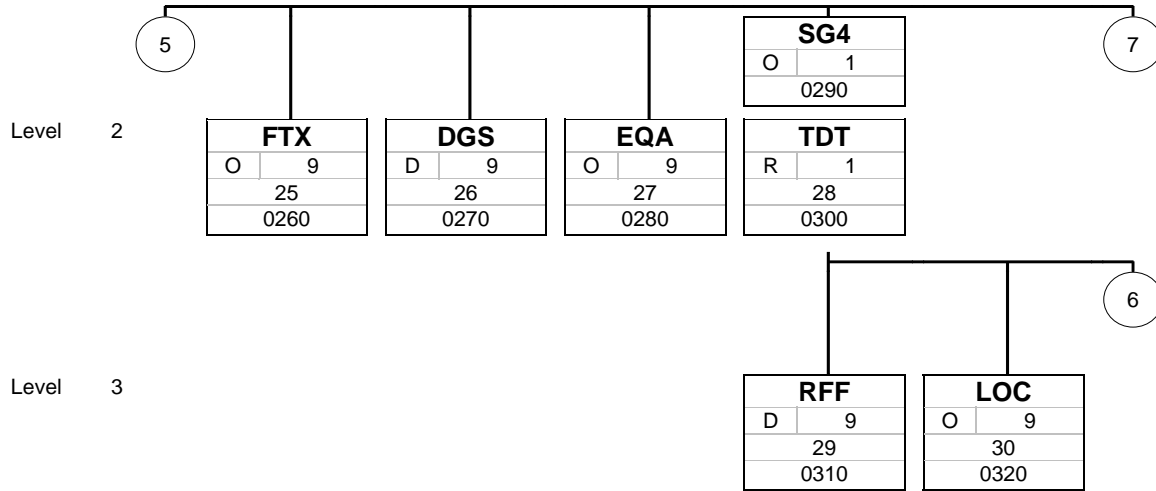
TMP	
D	9
22	
0230	

RNG	
O	9
23	
0240	

SEL	
O	9
24	
0250	



IMP - COPRAR





IMP - COPRAR



Level 3

DTM	
O	9
31	
0330	



IMP - COPRAR



Level 2

NAD	
D	1
32	
0340	



IMP - COPRAR





IMP - COPRAR



4

Level 0

CNT	
R	1
33	
0350	

UNT	
R	1
34	
0360	

UNZ	
R	1
35	
0000	



4 Segment Description

Counte	No	Name	St	MaxOcc	Ebene	Level
--------	----	------	----	--------	-------	-------

0000 1 **UNA** (1) C 1 0 SERVICE STRING ADVICE

Standard			Implementation	
Bez	Name	St Format	St Format	Anwendung / Bemerkung
UNA				
UNA1	Component data element separator	M an1	M an1	
UNA2	Data element separator	M an1	M an1	
UNA3	Decimal notation	M an1	M an1	
UNA4	Release indicator	M an1	M an1	
UNA5	Reserved for future use	M an1	M an1	
UNA6	Segment terminator	M an1	M an1	

Remark:

Example:

UNA: + . ? ' '



IMP - COPRAR



Counte	No	Name	St	MaxOcc	Ebene	Level
--------	----	------	----	--------	-------	-------

0000	2	UNB (1)	M	1	0	INTERCHANGE HEADER
------	---	------------------	---	---	---	--------------------

Standard			Implementation		
Bez	Name	St Format	St Format	Anwendung / Bemerkung	
UNB					
S001	SYNTAX IDENTIFIER	M	M		
0001	Syntax identifier	M a4	M a4	UNOA UN/ECE level A	
0002	Syntax version number	M n1	M n1	2 Syntax version number 2 (effective since may 1991)	
S002	INTERCHANGE SENDER	M	M		
0004	Sender identification	M an..35	M an..35	DAKOSY participant code	
0007	Partner identification code qualifier	C an..4	N	Not used	
0008	Address for reverse routing	C an..14	N	Not used	
S003	INTERCHANGE RECIPIENT	M	M		
0010	Recipient identification	M an..35	M an..35	IMP Import Message Platform BIP Bremer Import Platform	
0007	Partner identification code qualifier	C an..4	N	Not used	
0014	Routing address	C an..14	N	Not used	
S004	DATE/TIME OF PREPARATION	M	M		
0017	Date of preparation	M n6	M n6		
0019	Time of preparation	M n4	M n4		
0020	Interchange control reference	M an..14	M an..14		
S005	RECIPIENT'S REFERENCE PASSWORD	C	N		
0022	Recipient's reference/password	M an..14	N	Not used	
0025	Recipient's reference/password qualifier	C an2	N	Not used	
0026	Application reference	C an..14	N	Not used	
0029	Processing priority code	C a1	N	Not used	
0031	Acknowledgement request	C n1	N	Not used	
0032	Communications agreement ID	C an..35	N	Not used	
0035	Test indicator	C n1	C n1	Status (ZAPP): A Not defined in the SMDG standard. Usage is recommended for test purpose.	

Remark:

Example:

UNB+UNOA: 2+DKL+IMP+110116:2055+UNBREF123+++++1'



IMP - COPRAR



Counte	No	Name	St	MaxOcc	Ebene	Level
--------	----	------	----	--------	-------	-------

0010	3	UNH (1)	M	1	0	Message header
------	---	------------------	---	---	---	----------------

Standard			Implementation	
Bez	Name	St Format	St Format	Anwendung / Bemerkung
UNH				
0062	Message reference number	M an..14	M an..14	
S009	MESSAGE IDENTIFIER	M	M	
0065	Message type identifier	M an..6	M an..6	COPRAR Container discharge/loading order message
0052	Message type version number	M an..3	M an..3	D Draft directory
0054	Message type release number	M an..3	M an..3	95B Version 95B
0051	Controlling agency	M an..2	M an..2	UN UN/ECE/TRADE/WP.4, United Nations Standard Messages (UNSM)
0057	Association assigned code	C an..6	R an..6	ITG12
0068	Common access reference	C an..35	C an..35	Additional message reference (if required)
S010	STATUS OF THE TRANSFER	C	N	
0070	Sequence message transfer number	M n..2	N	Not used
0073	First/last sequence message transfer indication	C a1	N	Not used

Remark:

Example:

UNH+UNHREF123+COPRAR:D:95B:UN:ITG12+X'



IMP - COPRAR



Counte	No	Name	St	MaxOcc	Ebene	Level
--------	----	------	----	--------	-------	-------

0020	4	BGM (1)	M	1	0	Beginning of message
------	---	------------------	---	---	---	----------------------

Standard			Implementation	
Bez	Name	St Format	St Format	Anwendung / Bemerkung
BGM				
C002	DOCUMENT/MESSAGE NAME	C	C	
1001	Document/message name, coded	C an..3	C an..3	45 Transport Loading Instruction
1131	Code list qualifier	C an..3	N	Not used
3055	Code list responsible agency, coded	C an..3	N	Not used
1000	Document/message name	C an..35	R an..35	Status (ZAPP): N
1004	Document/message number	C an..35	C an..35	
1225	Message function, coded	C an..3	R an..3	9 Original 5 Replace If in element 1225 the code value 5 is used the top level RFF shall indicate the relation to a previous message.
4343	Response type, coded	C an..3	C an..3	AB Message acknowledgement

Remark:**Example:**

BGM+45:::ABC+1234567+9+AB'



IMP - COPRAR



Counte	No	Name	St	MaxOcc	Ebene	Level
--------	----	------	----	--------	-------	-------

0030 5 **FTX** (1) C 9 1 Free text

		Standard	Implementation	
Bez	Name	St Format	St Format	Anwendung / Bemerkung
FTX				
4451	Text subject qualifier	M an..3	M an..3	OSI Other service information
4453	Text function, coded	C an..3	N	Not used
C107	TEXT REFERENCE	C	R	
4441	Free text, coded	M an..3	M an..3	
1131	Code list qualifier	C an..3	N	Not used
3055	Code list responsible agency, coded	C an..3	N	Not used
C108	TEXT LITERAL	C	N	
4440	Free text	M an..70	N	Not used
4440	Free text	C an..70	N	Not used
4440	Free text	C an..70	N	Not used
4440	Free text	C an..70	N	Not used
4440	Free text	C an..70	N	Not used
3453	Language, coded	C an..3	N	Not used

Remark:

Example:

FTX+OSI++L'



IMP - COPRAR



Counte	No	Name	St	MaxOcc	Ebene	Level
--------	----	------	----	--------	-------	-------

0040	6	RFF (1)	M	9	1	Reference
------	---	------------------	---	---	---	-----------

Standard			Implementation	
Bez	Name	St Format	St Format	Anwendung / Bemerkung
RFF				
C506	REFERENCE	M	M	
1153	Reference qualifier	M an..3	M an..3	ACW Reference number to previous message XXX dummy (RFF is mandatory)
1154	Reference number	C an..35	C an..35	1 dummy value (in case of 'XXX' in 1153)
1156	Line number	C an..6	N	Not used
4000	Reference version number	C an..35	N	Not used

Remark:

Example:

RFF+XXX:1'



IMP - COPRAR



Counte	No	Name	St	MaxOcc	Ebene	Level
0050		SG1 (1)	M	1	0	TDT-RFF-LOC-DTM
0060	7	TDT (1)	M	1	1	Details of transport

Standard			Implementation	
Bez	Name	St Format	St Format	Anwendung / Bemerkung
TDT				
8051	Transport stage qualifier	M an..3	M an..3	20 Main-carriage transport
8028	Conveyance reference number	C an..17	D an..17	Format (ZAPP): an..8 Status (ZAPP): R the vessel operator's voyage number (Main carriage)
C220	MODE OF TRANSPORT	C	R	
8067	Mode of transport, coded	C an..3	R an..3	1 Maritime transport
8066	Mode of transport	C an..17	N	Not used
C228	TRANSPORT MEANS	C	N	
8179	Type of means of transport identification	C an..8	N	Not used
8178	Type of means of transport	C an..17	N	Not used
C040	CARRIER	C	R	
3127	Carrier identification	C an..17	R an..17	
1131	Code list qualifier	C an..3	C an..3	172 Carrier code
3055	Code list responsible agency, coded	C an..3	C an..3	166 US, National Motor Freight Classification Association
3128	Carrier name	C an..35	N	Not used
8101	Transit direction, coded	C an..3	N	Not used
C401	EXCESS TRANSPORTATION INFORMATION	C	N	
8457	Excess transportation reason, coded	M an..3	N	Not used
8459	Excess transportation responsibility, coded	M an..3	N	Not used
7130	Customer authorization number	C an..17	N	Not used
C222	TRANSPORT IDENTIFICATION	C	R	
8213	Id. of means of transport identification	C an..9	R an..9	
1131	Code list qualifier	C an..3	C an..3	146 Means of transport identification
3055	Code list responsible agency, coded	C an..3	N	Not used
8212	Id. of the means of transport	C an..35	C an..35	Status (ZAPP): A Name of the vessel
8453	Nationality of means of transport, coded	C an..3	N	Not used
8281	Transport ownership, coded	C an..3	N	Not used

Remark:

Example:

TDT+20+34W20+1++HLCU:172:166+++X:146::X'



IMP - COPRAR



Counte	No	Name	St	MaxOcc	Ebene	Level
0050		SG1 (1)	M	1	0	TDT-RFF-LOC-DTM
0070	8	RFF (1)	C	9	2	Reference

Standard			Implementation	
Bez	Name	St Format	St Format	Anwendung / Bemerkung
RFF				
C506	REFERENCE	M	M	
1153	Reference qualifier	M an..3	M an..3	VON Voyage number
1154	Reference number	C an..35	R an..35	alternative voyage number
1156	Line number	C an..6	N	Not used
4000	Reference version number	C an..35	N	Not used

Remark:

This segment is to be used in case the sender's voyage number is not the same as the vessel operator's voyage number (sent in TDT)

Example:

RFF+VON:X'



IMP - COPRAR



Counte	No	Name	St	MaxOcc	Ebene	Level
0050		SG1 (1)	M	1	0	TDT-RFF-LOC-DTM
0080	9	LOC (1)	R	9	2	Place/location identification

Standard			Implementation	
Bez	Name	St Format	St Format	Anwendung / Bemerkung
LOC				
3227	Place/location qualifier	M an..3	M an..3	9 Place/port of loading
C517	LOCATION IDENTIFICATION	C	R	
3225	Place/location identification	C an..25	R an..25	
1131	Code list qualifier	C an..3	C an..3	139 Port
3055	Code list responsible agency, coded	C an..3	C an..3	6 UN/ECE (United Nations - Economic Commission for Europe)
3224	Place/location	C an..17	N	Not used
C519	RELATED LOCATION ONE IDENTIFICATION	C	C	
3223	Related place/location one identification	C an..25	R an..25	Format (ZAPP): an..4 DAKOSY Terminal code The complete list of DAKOSY terminal codes for the use in IMP is available under: http://www.dakosy-direct.de , e. g.: 081 Buss Hansa Terminal / Schuppen 81 BK9 HHLA Containerterminal Burchardkai CTA HHLA Containerterminal Altenwerder EUR Eurgate Containerterminal Hamburg OSW UNIKAI SWT C. Steinweg Südwest Terminal TCT HHLA Containerterminal Tollerort
1131	Code list qualifier	C an..3	R an..3	TER Terminal code
3055	Code list responsible agency, coded	C an..3	R an..3	ZZZ Mutually defined
3222	Related place/location one	C an..70	N	Not used
C553	RELATED LOCATION TWO IDENTIFICATION	C	N	
3233	Related place/location two identification	C an..25	N	Not used
1131	Code list qualifier	C an..3	N	Not used
3055	Code list responsible agency, coded	C an..3	N	Not used
3232	Related place/location two	C an..70	N	Not used
5479	Relation, coded	C an..3	N	Not used

Remark:

Example:

LOC+9+DEHAM:139:6+TCT:TER:ZZZ'



IMP - COPRAR



Counte	No	Name	St	MaxOcc	Ebene	Level
--------	----	------	----	--------	-------	-------

0050		SG1 (1)	M	1	0	TDT-RFF-LOC-DTM
------	--	------------------	---	---	---	-----------------

0090	10	DTM (1)	C	1	2	Date/time/period
------	----	------------------	---	---	---	------------------

Standard			Implementation	
Bez	Name	St Format	St Format	Anwendung / Bemerkung
DTM				
C507	DATE/TIME/PERIOD	M	M	
2005	Date/time/period qualifier	M an..3	M an..3	132 Arrival date/time, estimated
2380	Date/time/period	C an..35	R an..35	
2379	Date/time/period format qualifier	C an..3	R an..3	203 CCYYMMDDHHMM

Remark:**Example:**

DTM+132:201101131000:203'



IMP - COPRAR



Counte	No	Name	St	MaxOcc	Ebene	Level
0050		SG1 (1)	M	1	0	TDT-RFF-LOC-DTM
0090	11	DTM (2)	C	1	2	Date/time/period

Status (ZAPP): [R](#)

Standard			Implementation	
Bez	Name	St Format	St Format	Anwendung / Bemerkung
DTM				
C507	DATE/TIME/PERIOD	M	M	
2005	Date/time/period qualifier	M an..3	M an..3	133 Departure date/time, estimated
2380	Date/time/period	C an..35	R an..35	Status (ZAPP): R
2379	Date/time/period format qualifier	C an..3	R an..3	203 CCYYMMDDHHMM

Remark:

Example:

DTM+133:201101140900:203'



IMP - COPRAR



Counte	No	Name	St	MaxOcc	Ebene	Level
0110		SG2 (1)	M	9	1	NAD-CTA
0120	12	NAD (1)	M	1	1	Name and address

Standard			Implementation	
Bez	Name	St Format	St Format	Anwendung / Bemerkung
NAD				
3035	Party qualifier	M an..3	M an..3	This code applies to every container mentioned in grp3 unless in segment NAD (grp3) specified otherwise. CA Carrier
C082	PARTY IDENTIFICATION DETAILS	C	R	
3039	Party id. identification	M an..35	R an..35	
1131	Code list qualifier	C an..3	R an..3	160 Party identification
3055	Code list responsible agency, coded	C an..3	C an..3	166 US, National Motor Freight Classification Association
C058	NAME AND ADDRESS	C	N	
3124	Name and address line	M an..35	N	Not used
3124	Name and address line	C an..35	N	Not used
3124	Name and address line	C an..35	N	Not used
3124	Name and address line	C an..35	N	Not used
3124	Name and address line	C an..35	N	Not used
C080	PARTY NAME	C	N	
3036	Party name	M an..35	N	Not used
3036	Party name	C an..35	N	Not used
3036	Party name	C an..35	N	Not used
3036	Party name	C an..35	N	Not used
3036	Party name	C an..35	N	Not used
3045	Party name format, coded	C an..3	N	Not used
C059	STREET	C	N	
3042	Street and number/p.o. box	M an..35	N	Not used
3042	Street and number/p.o. box	C an..35	N	Not used
3042	Street and number/p.o. box	C an..35	N	Not used
3164	City name	C an..35	N	Not used
3229	Country sub-entity identification	C an..9	N	Not used
3251	Postcode identification	C an..9	N	Not used
3207	Country, coded	C an..3	N	Not used

Remark:

Example:

NAD+CA+HLCU:160:166'



IMP - COPRAR



Counte	No	Name	St	MaxOcc	Ebene	Level
0110		SG2 (1)	M	9	1	NAD-CTA
0130	13	CTA (1)	C	9	2	Contact information

Status (ZAPP): N

		Standard	Implementation	
Bez	Name	St Format	St Format	Anwendung / Bemerkung
CTA				
3139	Contact function, coded	C an..3	C an..3	
C056	DEPARTMENT OR EMPLOYEE DETAILS	C	C	
3413	Department or employee identification	C an..17	C an..17	
3412	Department or employee	C an..35	C an..35	

Remark:

Example:

CTA+AA+X:X'



IMP - COPRAR



Counte	No	Name	St	MaxOcc	Ebene	Level
0140		SG3 (1)	M	9999	1	EQD-RFF-EQN-TMD-LOC-MEA-DIM-TMP-RNG-SEL-FTX-DGS-EQA-SG4-NAD

0150 14 **EQD** (1) M 1 1 Equipment details

Standard			Implementation	
Bez	Name	St Format	St Format	Anwendung / Bemerkung
EQD				
8053	Equipment qualifier	M an..3	M an..3	CN Container BB Break Bulk VIN Vehicle Identification Number
C237	EQUIPMENT IDENTIFICATION	C	D	
8260	Equipment identification number	C an..17	D an..17	Status (ZAPP): R 1. Container: container number (contiguous string) 2. Breakbulk: (IMP and BIP) - B/L-number: B/L-position / line number 3. Empty containers without identifying the numbers: Sequence number 4. Otherwise (Ro/Ro, swapbody): the equipment ID number, VIN In case of break bulk a colon is used as separator for B/L no and line number.
1131	Code list qualifier	C an..3	D an..3	ZZZ Mutually defined to be used only if empty containers with guidelines are ordered
3055	Code list responsible agency, coded	C an..3	N	Not used
3207	Country, coded	C an..3	N	Not used
C224	EQUIPMENT SIZE AND TYPE	C	D	
8155	Equipment size and type identification	C an..10	D an..10	
1131	Code list qualifier	C an..3	C an..3	102 Size and type
3055	Code list responsible agency, coded	C an..3	C an..3	5 ISO (International Organization for Standardization)
8154	Equipment size and type	C an..35	D an..35	Status (ZAPP): R
8077	Equipment supplier, coded	C an..3	C an..3	Status (ZAPP): R 1 Shipper supplied 2 Carrier supplied
8249	Equipment status, coded	C an..3	C an..3	2 Export 3 Import 6 Transhipment
8169	Full/empty indicator, coded	C an..3	R an..3	4 Empty 5 Full

Remark:

C224 is required except in the case of break bulk.

Example:

EQD+CN+HLCU1234566:ZZZ+1:102:5:22G0+1+2+4'



IMP - COPRAR



Counte	No	Name	St	MaxOcc	Ebene	Level
--------	----	------	----	--------	-------	-------

0140		SG3 (1)	M	9999	1	EQD-RFF-EQN-TMD-LOC-MEA-DIM-TMP-RNG-SEL-FTX-DGS-EQA-SG4-NAD
------	--	------------------	---	------	---	---

0160	15	RFF (1)	C	1	2	Booking Number
------	----	------------------	---	---	---	----------------

Standard			Implementation	
Bez	Name	St Format	St Format	Anwendung / Bemerkung
RFF				
C506	REFERENCE	M	M	
1153	Reference qualifier	M an..3	R an..3	BN Booking reference number
1154	Reference number	C an..35	R an..35	
1156	Line number	C an..6	N	Not used
4000	Reference version number	C an..35	N	Not used

Remark:

Example:

RFF+BN:X'



IMP - COPRAR



Counte	No	Name	St	MaxOcc	Ebene	Level
0140		SG3 (1)	M	9999	1	EQD-RFF-EQN-TMD-LOC-MEA-DIM-TMP-RNG-SEL-FTX-DGS-EQA-SG4-NAD
0170	16	EQN (1)	D	1	2	Number of units

Status (ZAPP): N

Standard			Implementation	
Bez	Name	St Format	St Format	Anwendung / Bemerkung
EQN				
C523	NUMBER OF UNIT DETAILS	M	M	
6350	Number of units	C n..15	R n..15	the quantity of empty containers described in EQD segment which shall be loaded, even if quantity is '1'
6353	Number of units qualifier	C an..3	N	Not used

Remark:

Example:

EQN+9'



IMP - COPRAR



Counte	No	Name	St	MaxOcc	Ebene	Level
--------	----	------	----	--------	-------	-------

0140		SG3 (1)	M	9999	1	EQD-RFF-EQN-TMD-LOC-MEA-DIM-TMP-RNG-SEL-FTX-DGS-EQA-SG4-NAD
------	--	------------------	---	------	---	---

0180	17	TMD (1)	C	9	2	Transport movement details
------	----	------------------	---	---	---	----------------------------

Standard			Implementation	
Bez	Name	St Format	St Format	Anwendung / Bemerkung
TMD				
C219	MOVEMENT TYPE	C	R	
8335	Movement type, coded	C an..3	R an..3	2 LCL/LCL 3 FCL/FCL 4 FCL/LCL 5 LCL/FCL
8334	Movement type	C an..35	N	Not used
8332	Equipment plan	C an..26	N	Not used
8341	Haulage arrangements, coded	C an..3	N	Not used

Remark:**Example:**

TMD+2'



IMP - COPRAR



Counte	No	Name	St	MaxOcc	Ebene	Level
0140		SG3 (1)	M	9999	1	EQD-RFF-EQN-TMD-LOC-MEA-DIM-TMP-RNG-SEL-FTX-DGS-EQA-SG4-NAD

0200 18 **LOC** (1) R 9 2 Port of Discharge

Standard			Implementation	
Bez	Name	St Format	St Format	Anwendung / Bemerkung
LOC				
3227	Place/location qualifier	M an..3	M an..3	11 Place/port of discharge
C517	LOCATION IDENTIFICATION	C	R	
3225	Place/location identification	C an..25	C an..25	Format (ZAPP): an..5 Status (ZAPP): R
1131	Code list qualifier	C an..3	C an..3	139 Port
3055	Code list responsible agency, coded	C an..3	C an..3	6 UN/ECE (United Nations - Economic Commission for Europe)
3224	Place/location	C an..17	N	Not used
C519	RELATED LOCATION ONE IDENTIFICATION	C	O	
3223	Related place/location one identification	C an..25	C an..25	
1131	Code list qualifier	C an..3	C an..3	TER Terminal code
3055	Code list responsible agency, coded	C an..3	C an..3	ZZZ Mutually defined
3222	Related place/location one	C an..70	N	Not used
C553	RELATED LOCATION TWO IDENTIFICATION	C	N	
3233	Related place/location two identification	C an..25	N	Not used
1131	Code list qualifier	C an..3	N	Not used
3055	Code list responsible agency, coded	C an..3	N	Not used
3232	Related place/location two	C an..70	N	Not used
5479	Relation, coded	C an..3	N	Not used

Remark:

Example:

LOC+11+HKHKG:139:6+ABC::ZZZ'



IMP - COPRAR



Counte	No	Name	St	MaxOcc	Ebene	Level
	0140	SG3 (1)	M	9999	1	EQD-RFF-EQN-TMD-LOC-MEA-DIM-TMP-RNG-SEL-FTX-DGS-EQA-SG4-NAD
	0200 19	LOC (2)	C	1	2	Place of Delivery (Final destination)

Status (ZAPP): R

		Standard	Implementation	
Bez	Name	St Format	St Format	Anwendung / Bemerkung
LOC				
3227	Place/location qualifier	M an..3	M an..3	7 Place of delivery
C517	LOCATION IDENTIFICATION	C	R	
3225	Place/location identification	C an..25	C an..25	Status (ZAPP): D
1131	Code list qualifier	C an..3	C an..3	139 Port
3055	Code list responsible agency, coded	C an..3	C an..3	6 UN/ECE (United Nations - Economic Commission for Europe)
3224	Place/location	C an..17	C an..17	Status (ZAPP): D
C519	RELATED LOCATION ONE IDENTIFICATION	C	O	
3223	Related place/location one identification	C an..25	R an..25	
1131	Code list qualifier	C an..3	R an..3	Format (ZAPP): will be ignored
3055	Code list responsible agency, coded	C an..3	R an..3	TER Terminal code
3222	Related place/location one	C an..70	N	ZZZ Mutually defined
C553	RELATED LOCATION TWO IDENTIFICATION	C	N	Not used
3233	Related place/location two identification	C an..25	N	Not used
1131	Code list qualifier	C an..3	N	Not used
3055	Code list responsible agency, coded	C an..3	N	Not used
3232	Related place/location two	C an..70	N	Not used
5479	Relation, coded	C an..3	N	Not used

Remark:

Example:

LOC+7+HKHKG:139:6:X+ABC:TER:ZZZ'



IMP - COPRAR



Counte	No	Name	St	MaxOcc	Ebene	Level
0140		SG3 (1)	M	9999	1	EQD-RFF-EQN-TMD-LOC-MEA-DIM-TMP-RNG-SEL-FTX-DGS-EQA-SG4-NAD
0210	20	MEA (1)	R	9	2	Measurements

Status (ZAPP): N

		Standard		Implementation	
Bez	Name	St	Format	St	Format / Anwendung / Bemerkung
MEA					
6311	Measurement application qualifier	M	an..3	M	an..3 AAE Measurement
C502	MEASUREMENT DETAILS	C		R	
6313	Measurement dimension, coded	C	an..3	R	an..3 G Gross weight
6321	Measurement significance, coded	C	an..3	N	Not used
6155	Measurement attribute, coded	C	an..3	N	Not used
6154	Measurement attribute	C	an..70	N	Not used
C174	VALUE/RANGE	C		R	
6411	Measure unit qualifier	M	an..3	M	an..3 KGM Kilogram *
6314	Measurement value	C	n..18	R	n..18 gross weight in kg (tare weight for empty containers). Gross weight is the sum of cargo weight and container (equipment) weight
6162	Range minimum	C	n..18	N	Not used
6152	Range maximum	C	n..18	N	Not used
6432	Significant digits	C	n..2	N	Not used
7383	Surface/layer indicator, coded	C	an..3	N	Not used

Remark:

Example:

MEA+AAE+G+KGM:9'



IMP - COPRAR



Counte	No	Name	St	MaxOcc	Ebene	Level
0140		SG3 (1)	M	9999	1	EQD-RFF-EQN-TMD-LOC-MEA-DIM-TMP-RNG-SEL-FTX-DGS-EQA-SG4-NAD
0220	21	DIM (1)	D	9	2	Dimensions

Status (ZAPP): N

Standard			Implementation	
Bez	Name	St Format	St Format	Anwendung / Bemerkung
DIM				
6145	Dimension qualifier	M an..3	M an..3	1 Gross dimensions 5 Off-standard dimension front 6 Off-standard dimension back 7 Off-standard dimension right 8 Off-standard dimension left 9 Off-standard dimension general 10 External equipment dimension
C211	DIMENSIONS	M	R	
6411	Measure unit qualifier	M an..3	R an..3	CMT Centimetre *
6168	Length dimension	C n..15	D n..15	Total length for break bulk, overlength for containers
6140	Width dimension	C n..15	D n..15	total width for break bulk, overwidth for containers
6008	Height dimension	C n..15	D n..15	Total height for break bulk, overheight for containers

Remark:

Not required inZAPP

Example:

DIM+1+CMT:9:9:9'



IMP - COPRAR



Counte	No	Name	St	MaxOcc	Ebene	Level
0140		SG3 (1)	M	9999	1	EQD-RFF-EQN-TMD-LOC-MEA-DIM-TMP-RNG-SEL-FTX-DGS-EQA-SG4-NAD
0230	22	TMP (1)	D	9	2	Temperature

Status (ZAPP): N

Standard			Implementation	
Bez	Name	St Format	St Format	Anwendung / Bemerkung
TMP				
6245	Temperature qualifier	M an..3	M an..3	2 Transport temperature
C239	TEMPERATURE SETTING	C	R	
6246	Temperature setting	C n3	R n3	Temperature according to which the cargo has to be transported
6411	Measure unit qualifier	C an..3	R an..3	CEL Degree Celsius FAH Degree Fahrenheit

Remark:

In spite of the given field length of element e6245 (format N3) decimal marks and negative values preceded by a minus sign can be transmitted. Generally numeric data element values shall be regarded as positive unless they are preceded by a minus sign. Decimal mark and minus sign shall, however, not be counted as a character of the value when computing the maximum field length. Tenth degrees have to be separated by a decimal point from full degrees (e.g. 18.5). Temperatures below zero have to be preceded by a minus sign (e.g. -18.5). The same applies for elements e6152 and e6162 in the RNG segment.

Example:

TMP+2+999:CEL'



IMP - COPRAR



Counte	No	Name	St	MaxOcc	Ebene	Level
0140		SG3 (1)	M	9999	1	EQD-RFF-EQN-TMD-LOC-MEA-DIM-TMP-RNG-SEL-FTX-DGS-EQA-SG4-NAD
0240	23	RNG (1)	O	9	2	Range details

Status (ZAPP): N

Standard			Implementation	
Bez	Name	St Format	St Format	Anwendung / Bemerkung
RNG				
6167	Range type qualifier	M an..3	R an..3	5 Temperature range
C280	RANGE	C	R	
6411	Measure unit qualifier	M an..3	R an..3	CEL Degree Celsius FAH Degree Fahrenheit
6162	Range minimum	C n..18	R n..18	Minimum temperature according to which the cargo has to be transported.
6152	Range maximum	C n..18	R n..18	Maximum temperature according to which the cargo has to be transported

Remark:

Example:

RNG+5+CEL:9:9'



IMP - COPRAR



Counte	No	Name	St	MaxOcc	Ebene	Level
0140		SG3 (1)	M	9999	1	EQD-RFF-EQN-TMD-LOC-MEA-DIM-TMP-RNG-SEL-FTX-DGS-EQA-SG4-NAD
0250	24	SEL (1)	O	9	2	Seal number

Status (ZAPP): N

Standard			Implementation	
Bez	Name	St Format	St Format	Anwendung / Bemerkung
SEL				
9308	Seal number	M an..10	R an..10	
C215	SEAL ISSUER	C	O	
9303	Sealing party, coded	C an..3	R an..3	CA Carrier CU Customs SH Shipper TO Terminal operator
1131	Code list qualifier	C an..3	N	Not used
3055	Code list responsible agency, coded	C an..3	N	Not used
9302	Sealing party	C an..35	N	Not used
4517	Seal condition, coded	C an..3	N	Not used

Remark:

Example:

SEL+X+CA'



IMP - COPRAR



Counte	No	Name	St	MaxOcc	Ebene	Level
0140		SG3 (1)	M	9999	1	EQD-RFF-EQN-TMD-LOC-MEA-DIM-TMP-RNG-SEL-FTX-DGS-EQA-SG4-NAD

0260 25 **FTX** (1) O 9 2 Free text

Standard			Implementation	
Bez	Name	St Format	St Format	Anwendung / Bemerkung
FTX				
4451	Text subject qualifier	M an..3	R an..3	AAA Goods description AAI General information
4453	Text function, coded	C an..3	N	Not used
C107	TEXT REFERENCE	C	D	
4441	Free text, coded	M an..3	R an..3	
1131	Code list qualifier	C an..3	N	Not used
3055	Code list responsible agency, coded	C an..3	D an..3	5 ISO (International Organization for Standardization) 184 AU, ACOS (Australian Chamber of Shipping) If qualifier in composit 4451 = 'ACF', then '5' If qualifier in composit 4451 = 'ABS', 'DAR' or 'HAN', then '184'
C108	TEXT LITERAL	C	D	
4440	Free text	M an..70	R an..70	Descriptions /Instructions/ Remarks in plain language. To be used only if 4451 = 'AAA' / 'AAI'
4440	Free text	C an..70	N	Not used
4440	Free text	C an..70	N	Not used
4440	Free text	C an..70	N	Not used
4440	Free text	C an..70	N	Not used
3453	Language, coded	C an..3	C an..3	

Remark:

This segment is not generally machine processable. Use of this segment must be agreed between partners!

Example:

FTX+AAA++X : : 5+X+DE '



IMP - COPRAR



Counte	No	Name	St	MaxOcc	Ebene	Level
0140		SG3 (1)	M	9999	1	EQD-RFF-EQN-TMD-LOC-MEA-DIM-TMP-RNG-SEL-FTX-DGS-EQA-SG4-NAD
0270	26	DGS (1)	D	9	2	Dangerous goods

Status (ZAPP): N

		Standard	Implementation	
Bez	Name	St Format	St Format	Anwendung / Bemerkung
DGS				
8273	Dangerous goods regulations, coded	C an..3	R an..3	IMD IMO IMDG code
C205	HAZARD CODE	C	R	
8351	Hazard code identification	M an..7	R an..7	IMDG code, e.g. '6.1'
8078	Hazard substance/item/page number	C an..7	O an..7	IMDG code page number (English version)
8092	Hazard code version number	C an..10	O an..10	
C234	UNDG INFORMATION	C	O	
7124	UNDG number	C n4	R n4	4-digit-UN-number
7088	Dangerous goods flashpoint	C an..8	N	Not used
C223	DANGEROUS GOODS SHIPMENT FLASHPOINT	C	D	
7106	Shipment flashpoint	C n3	R n3	The actual flashpoint in centigrade or Fahrenheit. For transmitting temperatures below zero or tenth degrees refer to remarks under TMP segment. If different dangerous goods with different flashpoints within one container are to be transported only the lowest flashpoint is to be given.
6411	Measure unit qualifier	C an..3	R an..3	CEL Degree Celsius FAH Degree Fahrenheit
8339	Packing group, coded	C an..3	O an..3	Packing group code of the hazardous goods 1 Great danger 2 Medium danger 3 Minor danger
8364	EMS number	C an..6	O an..6	Emergency schedule number
8410	MFAG	C an..4	O an..4	Medical first aid guide number
8126	Trem card number	C an..10	O an..10	
C235	HAZARD IDENTIFICATION	C	O	
8158	Hazard identification number, upper part	C an..4	O an..4	
8186	Substance identification number, lower part	C an4	O an4	
C236	DANGEROUS GOODS LABEL	C	O	
8246	Dangerous goods label marking	C an..4	O an..4	Dangerous goods label marking (1)
8246	Dangerous goods label marking	C an..4	O an..4	Dangerous goods label marking (2)
8246	Dangerous goods label marking	C an..4	O an..4	Dangerous goods label marking (3)
8255	Packing instruction, coded	C an..3	N	Not used
8325	Category of means of transport, coded	C an..3	N	Not used
8211	Permission for transport, coded	C an..3	N	Not used

Remark:

For goods with a subsidiary risk 2 methods are to be applied:

1. In DGS only elements 8273 and 8351 are to be used.
2. Subsidiary risk should be shown in segment FTX.

Example:

DGS+IMD+X:X:X+9999+999:CEL+1+X+X+X+X:XXXX+X:X:X'



IMP - COPRAR



Counte	No	Name	St	MaxOcc	Ebene	Level
0140		SG3 (1)	M	9999	1	EQD-RFF-EQN-TMD-LOC-MEA-DIM-TMP-RNG-SEL-FTX-DGS-EQA-SG4-NAD

0280 27 **EQA** (1) O 9 2 Attached equipment

Standard			Implementation	
Bez	Name	St Format	St Format	Anwendung / Bemerkung
EQA				
8053	Equipment qualifier	M an..3	R an..3	AB Chain AD Temperature recorder BL Blocks CH Chassis CN Container FSU Forked support LAR Lashing rope RG Reefer generator RR Rail car STR Strap SW Swap body TE Trailer TP Tarpaulin
C237	EQUIPMENT IDENTIFICATION	C	D	
8260	Equipment identification number	C an..17	R an..17	Number of attached equipment
1131	Code list qualifier	C an..3	N	Not used
3055	Code list responsible agency, coded	C an..3	N	Not used
3207	Country, coded	C an..3	N	Not used

Remark:**Example:**

EQA+AB+X'



IMP - COPRAR



Counte	No	Name	St	MaxOcc	Ebene	Level
0140		SG3 (1)	M	9999	1	EQD-RFF-EQN-TMD-LOC-MEA-DIM-TMP-RNG-SEL-FTX-DGS-EQA-SG4-NAD
0290		SG4 (1)	O	1	2	TDT-RFF-LOC-DTM
0300	28	TDT (1)	R	1	2	Details of transport

Standard			Implementation	
Bez	Name	St Format	St Format	Anwendung / Bemerkung
TDT				
8051	Transport stage qualifier	M an..3	R an..3	10 Pre-carriage transport
8028	Conveyance reference number	C an..17	D an..17	Vessel operator's discharge voyage number if mode of pre-carriage is a ship.
C220	MODE OF TRANSPORT	C	R	
8067	Mode of transport, coded	C an..3	R an..3	1 Maritime transport 2 Rail transport 3 Road transport 4 Air transport 8 Inland water transport 9 Mode unknown
8066	Mode of transport	C an..17	N	Not used
C228	TRANSPORT MEANS	C	R	
8179	Type of means of transport identification	C an..8	R an..8	11 Ship 13 Ocean vessel 25 Rail express 31 Truck
8178	Type of means of transport	C an..17	N	Not used
C040	CARRIER	C	O	
3127	Carrier identification	C an..17	D an..17	Code of the carrier
1131	Code list qualifier	C an..3	D an..3	172 Carrier code
3055	Code list responsible agency, coded	C an..3	D an..3	20 BIC (Bureau International des Containeurs) 87 Assigned by carrier 166 US, National Motor Freight Classification Association
3128	Carrier name	C an..35	D an..35	This element is only to be transmitted if no carrier code available
8101	Transit direction, coded	C an..3	N	Not used
C401	EXCESS TRANSPORTATION INFORMATION	C	N	
8457	Excess transportation reason, coded	M an..3	N	Not used
8459	Excess transportation responsibility, coded	M an..3	N	Not used
7130	Customer authorization number	C an..17	N	Not used
C222	TRANSPORT IDENTIFICATION	C	D	
8213	Id. of means of transport identification	C an..9	R an..9	Radio call sign, if C220/ 8067 = 1 and C222/ 1131 = 103 Lloyd's number, if C220/ 8067 = 1 and C222/ 1131 = 146 Train ID, if C220/ 8067 = 2 Truck ID, if C220/ 8067 = 3 Air service ID, if C220/ 8067 = 4 Barge ID, if C220/ 8067 = 8
1131	Code list qualifier	C an..3	D an..3	103 Call sign directory 146 Means of transport identification
3055	Code list responsible agency, coded	C an..3	N	Not used
8212	Id. of the means of transport	C an..35	N	Not used
8453	Nationality of means of transport, coded	C an..3	N	Not used
8281	Transport ownership, coded	C an..3	N	Not used



IMP - COPRAR



Remark:

Example:

'TDT+10+X+1+11+X:172:20:X+++X:103'



IMP - COPRAR



Counte	No	Name	St	MaxOcc	Ebene	Level
0140		SG3 (1)	M	9999	1	EQD-RFF-EQN-TMD-LOC-MEA-DIM-TMP-RNG-SEL-FTX-DGS-EQA-SG4-NAD
0290		SG4 (1)	O	1	2	TDT-RFF-LOC-DTM
0310	29	RFF (1)	D	9	3	Reference

Standard			Implementation	
Bez	Name	St Format	St Format	Anwendung / Bemerkung
RFF				
C506	REFERENCE	M	R	
1153	Reference qualifier	M an..3	R an..3	VON Voyage number
1154	Reference number	C an..35	R an..35	Alternative discharge voyage number
1156	Line number	C an..6	N	Not used
4000	Reference version number	C an..35	N	Not used

Remark:

Voyage number to be sent if different from vessel operator's voyage number in TDT (grp4)

Example:

RFF+VON:X'



IMP - COPRAR



Counte	No	Name	St	MaxOcc	Ebene	Level
0140		SG3 (1)	M	9999	1	EQD-RFF-EQN-TMD-LOC-MEA-DIM-TMP-RNG-SEL-FTX-DGS-EQA-SG4-NAD
0290		SG4 (1)	O	1	2	TDT-RFF-LOC-DTM
0320	30	LOC (1)	O	9	3	Place/location identification

Standard			Implementation	
Bez	Name	St Format	St Format	Anwendung / Bemerkung
LOC				
3227	Place/location qualifier	M an..3	R an..3	5 Place of departure
C517	LOCATION IDENTIFICATION	C	R	
3225	Place/location identification	C an..25	R an..25	Place of departure
1131	Code list qualifier	C an..3	N	Not used
3055	Code list responsible agency, coded	C an..3	O an..3	6 UNECE (United Nations - Economic Commission for Europe) 9 EAN (International Article Numbering association) 112 US, U.S. Census Bureau
3224	Place/location	C an..17	N	Not used
C519	RELATED LOCATION ONE IDENTIFICATION	C	N	
3223	Related place/location one identification	C an..25	N	Not used
1131	Code list qualifier	C an..3	N	Not used
3055	Code list responsible agency, coded	C an..3	N	Not used
3222	Related place/location one	C an..70	N	Not used
C553	RELATED LOCATION TWO IDENTIFICATION	C	N	
3233	Related place/location two identification	C an..25	N	Not used
1131	Code list qualifier	C an..3	N	Not used
3055	Code list responsible agency, coded	C an..3	N	Not used
3232	Related place/location two	C an..70	N	Not used
5479	Relation, coded	C an..3	N	Not used

Remark:

Example:

LOC+5+X: : 6'



IMP - COPRAR



Counte	No	Name	St	MaxOcc	Ebene	Level
0140		SG3 (1)	M	9999	1	EQD-RFF-EQN-TMD-LOC-MEA-DIM-TMP-RNG-SEL-FTX-DGS-EQA-SG4-NAD
0290		SG4 (1)	O	1	2	TDT-RFF-LOC-DTM
0330	31	DTM (1)	O	9	3	Date/time/period

Standard			Implementation	
Bez	Name	St Format	St Format	Anwendung / Bemerkung
DTM				
C507	DATE/TIME/PERIOD	M	R	
2005	Date/time/period qualifier	M an..3	R an..3	132 Arrival date/time, estimated
2380	Date/time/period	C an..35	R an..35	Date/ time of delivery of the container to the terminal. 'Late arrival' containers are shown if day of delivery is day of loading.
2379	Date/time/period format qualifier	C an..3	R an..3	203 CCYYMMDDHHMM

Remark:

Example:

DTM+132:X:203'



IMP - COPRAR



Counte	No	Name	St	MaxOcc	Ebene	Level
	0140	SG3 (1)	M	9999	1	EQD-RFF-EQN-TMD-LOC-MEA-DIM-TMP-RNG-SEL-FTX-DGS-EQA-SG4-NAD

0340 32 **NAD** (1) D 1 2 Name and address

Standard			Implementation	
Bez	Name	St Format	St Format	Anwendung / Bemerkung
NAD				
3035	Party qualifier	M an..3	R an..3	CF Container operator/lessee
C082	PARTY IDENTIFICATION DETAILS	C	R	
3039	Party id. identification	M an..35	R an..35	Party responsible for the carriage of the goods and / or equipment
1131	Code list qualifier	C an..3	R an..3	160 Party identification
3055	Code list responsible agency, coded	C an..3	R an..3	20 BIC (Bureau International des Containeurs) 166 US, National Motor Freight Classification Association ZZZ Mutually defined
C058	NAME AND ADDRESS	C	N	
3124	Name and address line	M an..35	M an..35	
3124	Name and address line	C an..35	N	Not used
3124	Name and address line	C an..35	N	Not used
3124	Name and address line	C an..35	N	Not used
3124	Name and address line	C an..35	N	Not used
C080	PARTY NAME	C	N	
3036	Party name	M an..35	M an..35	
3036	Party name	C an..35	N	Not used
3036	Party name	C an..35	N	Not used
3036	Party name	C an..35	N	Not used
3036	Party name	C an..35	N	Not used
3045	Party name format, coded	C an..3	N	Not used
C059	STREET	C	N	
3042	Street and number/p.o. box	M an..35	M an..35	
3042	Street and number/p.o. box	C an..35	N	Not used
3042	Street and number/p.o. box	C an..35	N	Not used
3164	City name	C an..35	C an..35	
3229	Country sub-entity identification	C an..9	C an..9	
3251	Postcode identification	C an..9	C an..9	
3207	Country, coded	C an..3	C an..3	

Remark:

This segment is only to be used if container operator differs from operator or shipping line service mentioned in NAD grp2

Example:

NAD+CF+X:160:20++++X+X+X+AD'



IMP - COPRAR



Counte	No	Name	St	MaxOcc	Ebene	Level
--------	----	------	----	--------	-------	-------

0350	33	CNT (1)	R	1	0	Control total
------	----	------------------	---	---	---	---------------

Standard			Implementation	
Bez	Name	St Format	St Format	Anwendung / Bemerkung
CNT				
C270	CONTROL	M	R	
6069	Control qualifier	M an..3	R an..3	1 Algebraic total of the quantity values in line items in a
6066	Control value	M n..18	R n..18	16 Total number of equipment
6411	Measure unit qualifier	C an..3	N	'1' dummy value, if 6069 = 1 Number of equipment, if 6069 = 16
				Not used

Remark:

Example:

CNT+1:9'



IMP - COPRAR



Counte	No	Name	St	MaxOcc	Ebene	Level
--------	----	------	----	--------	-------	-------

0360	34	UNT (1)	R	1	0	Message trailer
------	----	------------------	---	---	---	-----------------

Standard			Implementation	
Bez	Name	St Format	St Format	Anwendung / Bemerkung
UNT				
0074	Number of segments in a message	M n..6	R n..6	Including UNH and UNT segments, but excluding UNA, UNB and UNZ segments
0062	Message reference number	M an..14	R an..14	This reference number must be identical to the reference in UNH 0062

Remark:**Example:**

UNT+31+UNHREF123'



IMP - COPRAR



Counte	No	Name	St	MaxOcc	Ebene	Level
--------	----	------	----	--------	-------	-------

0000	35	UNZ (1)	R	1	0	INTERCHANGE TRAILER
------	----	------------------	---	---	---	---------------------

Standard			Implementation	
Bez	Name	St Format	St Format	Anwendung / Bemerkung
UNZ				
0036	Interchange control count	M n..6	R n..6	The number of messages in the interchange
0020	Interchange control reference	M an..14	R an..14	This reference must be identical to the reference in UNB 0020

Remark:

Example:

UNZ+1+UNBREF123'