



IMP – IFTSTA



Implementation Guide Status Message (EDIFACT IFTSTA)



Business Integration for the Port of Hamburg

Version 1.6.1

DAKOSY

Datenkommunikationssystem AG

Mattentwiete 2

20457 Hamburg

Telefon: 040 370 03 – 0 Fax: - 370

Erstellt von	IMP Arbeitsgruppe	2008
Geprüft von	: IMP Arbeitsgruppe	
Freigegeben von	:	
Aktuelle Version auf:	http://www.imp-hamburg.de/	



IMP – IFTSTA



Datei : iftsta_mig_en.doc

Verwendungshinweis :



IMP – IFTSTA



Change History

Version	Betr. Abschnitte	Grund	Name	Datum
1.5	All	First english version	Blanken	2010-06-30
1.6		Added status codes 935 – 938 (events related to B- and S-Numbers in the Port of Hamburg)	Blanken	2010-10-29
1.6.1		Added status codes 942, 943	Malzahn	2010-12-04

For change requests please contact:

DAKOSY
Datenkommunikationssystem AG
- EDI Services -
Mattentwiete 2
20457 Hamburg
Telefon:040 / 37003-0
Fax: 040/37003-370
Email: info@dakosy.de



Inhaltsverzeichnis

1	STATUS MESSAGES IN IMP	5
2	CONTENT OF STATUS MESSAGES	5
2.1.1	<i>Status messages related to an IMP Reference</i>	<i>5</i>
2.1.2	<i>Status messages related to a means of transport</i>	<i>6</i>
2.2	STATUS CODES.....	7
2.2.1	Manifest / SumA.....	7
2.2.1.1	Statuscode 900 – Manifest Match.....	7
2.2.2	Inbound Traffic.....	8
2.2.2.1	Status 911 – Delay	8
2.2.2.2	Status 912 – Early Arrival	8
2.2.2.3	Status 913 – Discharge Information.....	8
2.2.3	Government Agencies	9
2.2.3.1	Status 921 – Import Prohibited	9
2.2.3.2	Status 922 – Inspection	9
2.2.3.3	Status 923 – Release.....	9
2.2.4	Customs Process.....	10
2.2.4.1	Status 930– Preliminary SumA	10
2.2.4.2	Status 931 – Customs Inspection	10
2.2.4.3	Status 932 – Import prohibited by customs.....	10
2.2.4.4	Status 933 – Customs Release	11
2.2.4.5	Status 934 – Summary Declaration confirmed.....	11
2.2.4.6	Status 935 – B- or S-No. (Re-Export Notification/EXS) generated	11
2.2.4.7	Statuscode 936 – Customs hold on goods	11
2.2.4.8	Statuscode 937 – B-No. Released.....	12
2.2.4.9	Statuscode 938 – S-No. Released.....	12
2.2.4.10	Status 940 – Preliminary filing of following customs process.....	12
2.2.4.11	Status 941 – SumA process finished (following customs process confirmed)	12
2.2.5	Status Port	13
2.2.5.1	Status 950 – Release Order received by terminal	13
2.2.5.2	Status 951 – No Release Order received by terminal	13
2.2.5.3	Status 952 – Container stopped at terminal.....	13
2.2.5.4	Status 953 – Container/Goods released from terminal	13
2.2.5.5	Status 954 – Gate-Out Terminal	14
2.2.5.6	Status 955 – Container unknown.....	14
2.2.5.7	Status 956 – Delivered.....	14
2.2.5.8	Status 957 – Certificate of obligation missing / required	14
2.2.5.9	Status 958 – Certificate of obligation present	14
2.2.5.10	Status 959 – Discharge finished	14
2.2.6	On Carriage	15
2.2.6.1	Status 960 - Gate-IN Packing Facility	15
2.2.6.2	Status 961 – Loaded.....	15
2.2.6.3	Status 962 – Departure.....	15
2.2.6.4	Status 963 – Delay	15
2.2.6.5	Status 964 – Arrival on-carriage	15
2.2.6.6	Status 965 – Delivered.....	16
3	MESSAGE STRUCTURE	17
4	BRANCHING DIAGRAM	19
5	SEGMENT DESCRIPTION.....	25



1 Status Messages in IMP

A wide variety of status messages is exchanged between the individual parties communicating with and via the Import Message Platform IMP.

IMP offers two different formats for exchanging status messages electronically, one of them being the XML message “Status”, the other one being the EDIFACT Message IFTSTA, based on EDIFACT version D.00B.

This document describes the EDIFACT version of the status message.

2 Content of status messages

The exact contents of a status message depend upon the type of event that is to be reported. In most cases, a status message will apply to an individual IMP Reference (import process). Certain messages however will be related to all of the goods transported on a conveyance / on the same vessel (an ETA delay, for example).

Within the description of the individual status codes (see section 2.2) there is a note describing whether the message will be related to an IMP reference or a means of transport.

2.1.1 Status messages related to an IMP Reference

Statusmessages which relate to an individual IMP reference usually contain the following information:

Content	Remark
IMP-Reference	Reference to which this status message applies
Additional References	If no IMP Reference can be supplied for a status message, at least one additional reference (type of reference will be identified by a qualifier value) will be sent.
Event Location	(if applicable)
Event Time	-
Status Code	Status Code accd. section 2.2
Containernummer	For containerized goods only
B/L-Nummer	-



2.1.2 Status messages related to a means of transport

Status message related to a certain conveyance / a certain means of transport usually contain the following information:

Content	Remark
Name	Name of means of transport (if known)
ID	ID of means of transport (Call Sign or IMO No. for maritime vessels, car number for rail cars, license plate no. for trucks)
Carrier	-
Event Location	(if applicable)
Event Time	-
Status Code	Status Code accd. Section 2.2
IMP References	Depending on status: IMP references affected by the status change (limited to IMP references for which the message recipient holds sufficient usage rights)



2.2 Status Codes

Status codes are used to specify the event reported with a status message. Most of the statuses occurring within the IMP are not covered by the standard EDIFACT code lists. Therefore a number of codes has been defined specifically for use within the IMP. Those codes do have three digits, are numeric and start with '9'. Thus, the codes' format is compliant with the EDIFACT standard.

The following tables describe these codes, their meaning and any additional information that would be submitted in the status messages.

2.2.1 Manifest / SumA

2.2.1.1 Statuscode 900 – Manifest Match

This status code is sent to the party who submitted an Import Operation Instruction in Order to inform the recipient that the Instruction could be matched with manifest data sent from a carrier.



2.2.2 Inbound Traffic

2.2.2.1 Status 911 – Delay

If an inbound vessel is delayed, this status message will be sent to the parties affected.

Message Relation	Additional Information	Remarks
Transport	Vessel Information	Will be reported in TDT+20 (EDIFACT) or TransportMeans (XML)
	Terminal	Will be reported in SG5/LOC+172 (EDIFACT) or EventLocation (XML)
	New ETA	Will be reported in SG5/DTM+132 (EDIFACT) or AdditionalStatusDate (XML)
	Planned beginning and end of unloading	Will be reported in SG5/DTM+96 and DTM+413 (EDIFACT) or AdditionalStatusDate (XML)

2.2.2.2 Status 912 – Early Arrival

Status 912 is used to report that an inbound vessel is going to arrive early.

Message Relation	Additional Information	Remarks
Transport	Vessel Information	Will be reported in TDT+20 (EDIFACT) or TransportMeans (XML)
	Terminal	Will be reported in SG5/LOC+172 (EDIFACT) or EventLocation (XML)
	New ETA	Will be reported in SG5/DTM+132 (EDIFACT) or AdditionalStatusDate (XML)
	Planned beginning and end of unloading	Will be reported in SG5/DTM+96 and DTM+413 (EDIFACT) or AdditionalStatusDate (XML)

2.2.2.3 Status 913 – Discharge Information

This code is used to report that the goods covered by an IMP process have been discharged. **It does not indicate a release of those goods by the terminal operator.**

Message Relation	Additional Information	Remarks
IMP Reference	Vessel Information	Will be reported in TDT+20 (EDIFACT) or TransportMeans (XML)
	Terminal	Will be reported in SG5/LOC+172 (EDIFACT) or EventLocation (XML)



2.2.3 Government Agencies

2.2.3.1 Status 921 – Import Prohibited

If a government agency (except for customs) denies the permission to import a shipment, this denial will be reported to the parties affected with code 921.

Message Relation	Additional Information	Remarks
IMP Reference	Agency	Will be set as message sender in EDI messages
	Person responsible at agency	Will be set as message sender contact in EDI messages.
	Reason	Will be sent as SG5/FTX+AAI (EDIFACT) or AdditionalInformation (XML)

2.2.3.2 Status 922 – Inspection

If a government agency (except for customs) orders an inspection, code 922 will be used.

Message Relation	Additional Information	Remarks
IMP Reference	Agency	Will be set as message sender in EDI messages
	Person responsible at agency	Will be set as message sender contact in EDI messages.
	Reason / Inspection type (document, goods...)	Will be sent as SG5/FTX+AAI (EDIFACT) or AdditionalInformation (XML)
	Date of inspection	Date for which the government agency orders the inspection. Will be reported in SG5/DTM+96 (EDIFACT) or as AdditionalStatusDate (XML)
	Location of inspection	Location where the inspection is going to take place. Will be reported in SG5/LOC+172 (EDIFACT) or EventLocation (XML)

2.2.3.3 Status 923 – Release

Status code 923 is used to report that goods have been released / import has been permitted by a government agency (except for customs).

Message Relation	Additional Information	Remarks
IMP Reference	Agency	Will be set as message sender in EDI messages
	Person responsible at agency	Will be set as message sender contact in EDI messages.
	Reason / Inspection type (document, goods...)	Will be sent as SG5/FTX+AAI (EDIFACT) or AdditionalInformation (XML)



2.2.4 Customs Process

2.2.4.1 Status 930– Preliminary SumA

Status 930 is used to report the ATB customs reference after it has been assigned to a shipment by customs.

Message Relation	Additional Information	Remarks
IMP Reference	ATB-No.	Will be sent as SG5/RFF+ABT (EDIFACT) or AdditionalReference with TypeCode "ATNEU" (XML)

2.2.4.2 Status 931 – Customs Inspection

Note: This status code is currently not used as a corresponding electronic status message will not be send by customs

If customs orders an inspection of an inbound shipment, status code 931 will be used.

Message Relation	Additional Information	Remarks
IMP Reference	ATB-No.	Will be sent as SG5/RFF+ABT (EDIFACT) or AdditionalReference with TypeCode "ATNEU" (XML)
	Reason	Type of inspection / reason. Will be sent as SG5/FTX+AAI (EDIFACT) or AdditionalInformation (XML)

2.2.4.3 Status 932 – Import prohibited by customs

Note: This status code is currently not used as a corresponding electronic status message will not be send by customs

This code is used to inform the recipient that customs denied the import of a shipment.

Message Relation	Additional Information	Remarks
IMP Reference	ATB-No.	Will be sent as SG5/RFF+ABT (EDIFACT) or AdditionalReference with TypeCode "ATNEU" (XML)
	Reason	Type of inspection / reason. Will be sent as SG5/FTX+AAI (EDIFACT) or AdditionalInformation (XML)



2.2.4.4 Status 933 – Customs Release

Note: This status code is currently not used as a corresponding electronic status message will not be send by customs

Code 933 indicates that customs allowed the import of a shipment.

Message Relation	Additional Information	Remarks
IMP Reference	ATB-No.	Will be sent as SG5/RFF+ABT (EDIFACT) or AdditionalReference with TypeCode "ATNEU" (XML)
	Additional Information	Will be sent as SG5/FTX+AAI (EDIFACT) or AdditionalInformation (XML)

2.2.4.5 Status 934 – Summary Declaration confirmed

If the (preliminary) summary declaration of temporary storage has been confirmed, code 934 is used to inform the recipient about this event.

Message Relation	Additional Information	Remarks
IMP Reference	ATB-No.	Will be sent as SG5/RFF+ABT (EDIFACT) or AdditionalReference with TypeCode "ATNEU" (XML)

2.2.4.6 Status 935 – B- or S-No. (Re-Export Notification/EXS) generated

If a B- or S-Number has been generated based on data from the IFTMCS message, the resulting reference is reported to the customers using a status message with code 935.

Art der Meldung	Zusätzliche Informationen	Anmerkungen
IMP Reference	B-No. or S-No.	Will be sent as SG5/RFF+BNR (EDIFACT) or AdditionalReference with TypeCode "BNR" (XML)

2.2.4.7 Statuscode 936 – Customs hold on goods

If customs impose a hold on a B- or S-Number, status code 936 will be submitted to the customers.

Art der Meldung	Zusätzliche Informationen	Anmerkungen
IMP Reference	B-No. or S-No.	Will be sent as SG5/RFF+BNR or RFF+SNR (EDIFACT) resp. AdditionalReference with TypeCode "BNR" or "SNR" (XML)
	Reason	Type of inspection / reason. Will be sent as SG5/FTX+AAI (EDIFACT) or AdditionalInformation (XML)



2.2.4.8 Statuscode 937 – B-No. Released

If a B-Nr. has been held by customs, it's release will be reported with status code 937.

Art der Meldung	Zusätzliche Informationen	Anmerkungen
IMP Reference	B-No.	Will be sent as SG5/RFF+BNR (EDIFACT) or AdditionalReference with TypeCode "BNR" (XML)

2.2.4.9 Statuscode 938 – S-No. Released

The release of an S-No. is reported using this status code.

Art der Meldung	Zusätzliche Informationen	Anmerkungen
IMP Reference	S-No.	Will be sent as SG5/RFF+SNR (EDIFACT) or AdditionalReference with TypeCode "SNR" (XML)

2.2.4.10 Status 940 – Preliminary filing of following customs process

This message will be sent after an application for the customs process following the SumA has been filed and customs assigned an ATA reference to this application.

Message Relation	Additional Information	Remarks
IMP Reference	ATA-No.	Will be sent as SG5/RFF+ACG (EDIFACT) or AdditionalReference with TypeCode "ATA" (XML)

2.2.4.11 Status 941 – SumA process finished (following customs process confirmed)

If the preliminary application for a customs process following the SumA has been confirmed, this information is passed on to the status message recipient with code 941.

Message Relation	Additional Information	Remarks
IMP Reference	ATB-No.	Will be sent as SG5/RFF+ABT (EDIFACT) or AdditionalReference with TypeCode "ATNEU" (XML)
	Type of next customs process	Will be sent as SG5/FTX+AAI (EDIFACT) or AdditionalInformation (XML)
	ATA- oder Arbeitsnr.	Will be sent as SG5/RFF+ACG (EDIFACT) or AdditionalReference with TypeCode "ATA" (XML)



2.2.5 Status Port

2.2.5.1 Status 950 – Release Order received by terminal

Code 950 is sent to confirm the terminal received a release order for a shipment related to an IMP Reference .

Message Relation	Additional Information	Remarks
IMP Reference	Terminal	Will be set as message sender in EDI messages

2.2.5.2 Status 951 – No Release Order received by terminal

Code 951 is sent to inform the recipient that the terminal did not yet receive a release order for the shipment related to a given IMP reference.

Message Relation	Additional Information	Remarks
IMP Reference	Terminal	Will be set as message sender in EDI messages

2.2.5.3 Status 952 – Container stopped at terminal

If a container is stopped by the terminal (e.g. due to damage) code 952 is sent to inform about this event

Message Relation	Additional Information	Remarks
IMP Reference	Terminal	Will be set as message sender in EDI messages
	Reason (optional)	Will be sent as SG5/FTX+AAI (EDIFACT) or AdditionalInformation (XML)

2.2.5.4 Status 953 – Container/Goods released from terminal

This code is used to report that a container/a shipment might be picked up at the terminal

Note: This status message is *not* triggered by the terminal, but sent from within IMP when certain conditions are met (Release order received, no inspection or prohibition by customs/government agencies, no certificate of obligation missing).

Message Relation	Additional Information	Remarks
IMP Reference	Terminal	Will be set as message sender in EDI messages



2.2.5.5 Status 954 – Gate-Out Terminal

This code is sent if a shipment has been removed from the terminal.

Message Relation	Additional Information	Remarks
IMP Reference	Terminal	Will be set as message sender in EDI messages

2.2.5.6 Status 955 – Container unknown

(Preliminary – Code might change): Container is unknown to the terminal's system.

Message Relation	Additional Information	Remarks
IMP Reference	Terminal	Will be set as message sender in EDI messages

2.2.5.7 Status 956 – Delivered

(Preliminary – Code might change): Container is in depot or has been delivered already

Message Relation	Additional Information	Remarks
IMP Reference	Terminal	Will be set as message sender in EDI messages

2.2.5.8 Status 957 – Certificate of obligation missing / required

A certificate of obligation is required but has not been presented/sent to the terminal yet.

Message Relation	Additional Information	Remarks
IMP Reference	Terminal	Will be set as message sender in EDI messages

2.2.5.9 Status 958 – Certificate of obligation present

A certificate of obligation is required and has been presented/sent to the terminal.

Message Relation	Additional Information	Remarks
IMP Reference	Terminal	Will be set as message sender in EDI messages

2.2.5.10 Status 959 – Discharge finished

This code is sent when the discharge process for a vessel has been finished.

Message Relation	Additional Information	Remarks
Transport	Terminal	Will be set as message sender in EDI messages



2.2.6 On Carriage

2.2.6.1 Status 960 - Gate-IN Packing Facility

Packing facilities participating in IMP use code 960 to report the receipt of a consolidated shipment for deconsolidation.

Message Relation	Additional Information	Remarks
IMP Reference	Packing facility	Will be set as message sender in EDI messages

2.2.6.2 Status 961 – Loaded

Code 961 is used to report that a container has been loaded on the means of transport for on-carriage.

Message Relation	Additional Information	Remarks
IMP Reference	Loading Location	Will be reported in SG5/LOC+172 (EDIFACT) or EventLocation (XML)

2.2.6.3 Status 962 – Departure

This status is reported after the means of transport for on-carriage has departed

Message Relation	Additional Information	Remarks
IMP Reference	Loading Location	Will be reported in SG5/LOC+172 (EDIFACT) or EventLocation (XML)

2.2.6.4 Status 963 – Delay

Code 963 is used to indicate a delay during on-carriage

Message Relation	Additional Information	Remarks
Transport	Destination	Will be reported in SG5/LOC+172 (EDIFACT) or EventLocation (XML)
	New ETA	Will be reported in SG5/DTM+132 (EDIFACT) or AdditionalStatusDate (XML)

2.2.6.5 Status 964 – Arrival on-carriage

After the means of transport for on-carriage arrived at its destination, code 964 is used to report this event.

Art der Meldung	Zusätzliche Informationen	Anmerkungen
Transport	Destination	Will be reported in SG5/LOC+172 (EDIFACT) or EventLocation (XML)



IMP – IFTSTA



2.2.6.6 Status 965 – Delivered

Delivery of an import shipment (and therefore the finalization of an IMP process) is reported with status 965

Art der Meldung	Zusätzliche Informationen	Anmerkungen
IMP Reference	Destination	Will be reported in SG5/LOC+172 (EDIFACT) or EventLocation (XML)



IMP – IFTSTA



3 Message Structure



IMP – IFTSTA



Counte	No	Tag	St	MaxOcc	Level	Content	
	0000	1	UNA	C	1	0	Service string advice
	0000	2	UNB	M	1	0	Interchange header
	0010	3	UNH	M	1	0	Message header
	0020	4	BGM	M	1	0	Beginning of message
	0030	5	DTM	C	1	1	Date/time/period
	0100		SG3	X	9	1	RFF
	0110	6	RFF	M	1	1	Additional References
	0160		SG4	C	1	1	CNI-SG5
	0170	7	CNI	M	1	1	Consignments
	0200		SG5	M	1	2	STS-RFF-RFF-DTM-DTM-DTM-DTM-DTM-FTX-NAD-LOC-SG6-SG8
	0210	8	STS	M	1	2	Status
	0220	9	RFF	C	2	3	IMP Reference or CNTR/BL
	0220	10	RFF	C	9	3	Additional References (Line)
	0230	11	DTM	M	1	3	Event Date
	0230	12	DTM	D	1	3	Date of inspection
	0230	13	DTM	D	1	3	New ETA
	0230	14	DTM	D	1	3	Discharge date (begin)
	0230	15	DTM	D	1	3	Discharge date (end)
	0250	16	FTX	C	1	3	AdditionalInformation
	0260	17	NAD	C	9	3	Involved Party
	0270	18	LOC	C	1	3	Event Location
	0290		SG6	C	1	3	TDT-RFF
	0300	19	TDT	M	1	3	Vessel Information
	0320	20	RFF	C	1	4	Call Sign
	0360		SG8	C	1	3	EQD-SEL
	0370	21	EQD	M	1	3	Containerinformationen
	0400	22	SEL	C	9	4	Seal number
	0620	23	UNT	M	1	0	Message trailer
	0000	24	UNZ	M	1	0	Interchange trailer



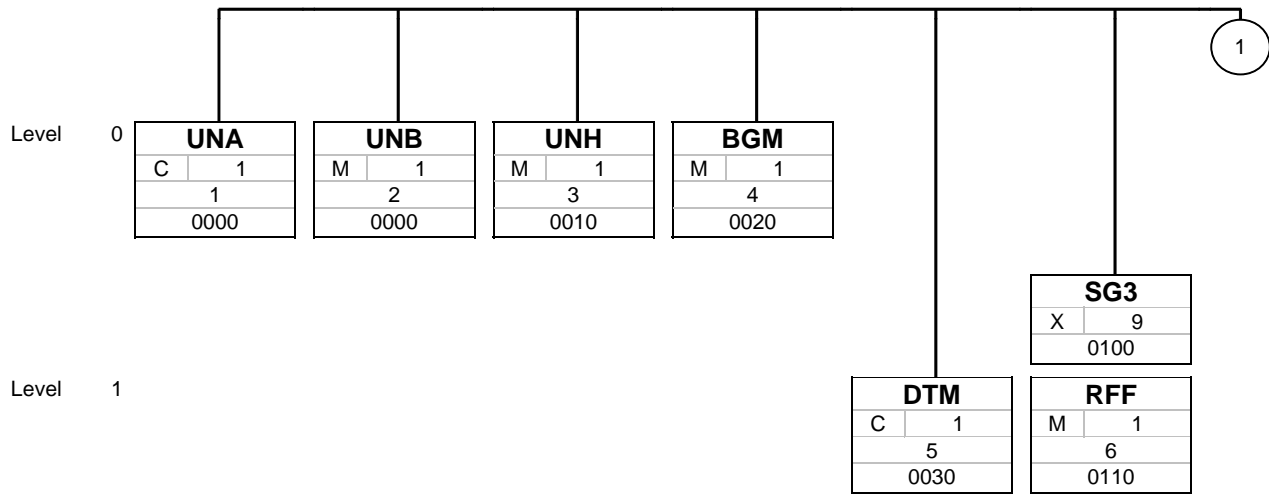
IMP – IFTSTA



4 Branching Diagram

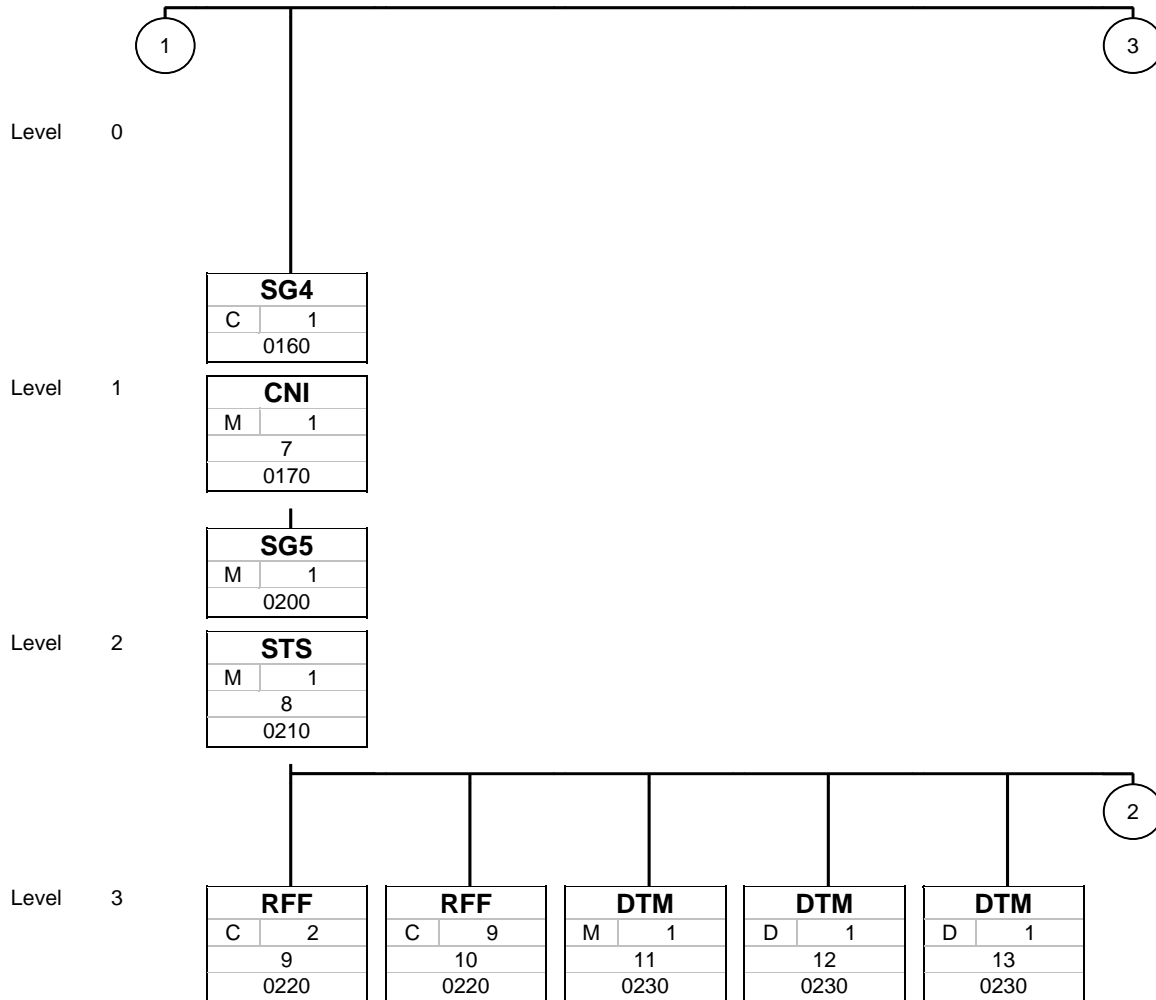


IMP – IFTSTA



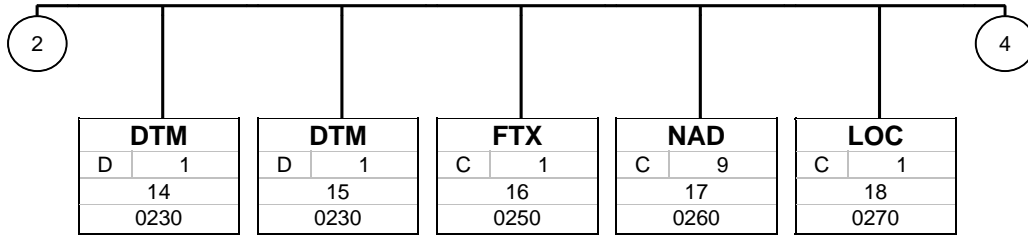


IMP – IFTSTA



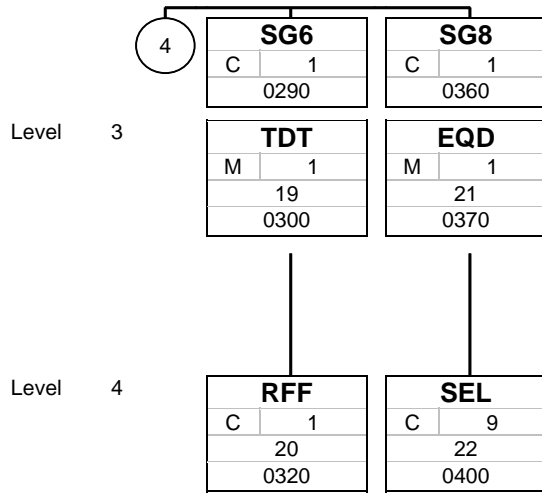


IMP – IFTSTA





IMP – IFTSTA





IMP – IFTSTA



3

Level 0

UNT	
M	1
23	
0620	

UNZ	
M	1
24	
0000	



IMP – IFTSTA



5 Segment Description



IMP – IFTSTA



Counte	No	Name	St	MaxOcc	Ebene	Level
--------	----	------	----	--------	-------	-------

0000 1 **UNA** (1) C 1 0 Service string advice

		Standard	Implementation	
Bez	Name	St Format	St Format	Anwendung / Bemerkung
UNA				
UNA1	Component data element separator	M an1	M an1	
UNA2	Data element separator	M an1	M an1	
UNA3	Decimal mark	M an1	M an1	
UNA4	Release character	M an1	M an1	
UNA5	Repetition separator	M an1	M an1	
UNA6	Segment terminator	M an1	M an1	

Example:



IMP – IFTSTA



Counte	No	Name	St	MaxOcc	Ebene	Level
--------	----	------	----	--------	-------	-------

0000 2 **UNB** (1) M 1 0 Interchange header

		Standard	Implementation	
Bez	Name	St Format	St Format	Anwendung / Bemerkung
UNB				
S001	Syntax identifier	M	M	
0001	Syntax identifier	M a4	M a4	
0002	Syntax version number	M an1	M an1	
0080	Service code list directory version number	C an..6	N	Not used
0133	Character encoding, coded	C an..3	N	Not used
S002	Interchange sender	M	M	
0004	Interchange sender identification	M an..35	M an..35	
0007	Identification code qualifier	C an..4	N	Not used
0008	Interchange sender internal identification	C an..35	N	Not used
0042	Interchange sender internal sub-identification	C an..35	N	Not used
S003	Interchange recipient	M	M	
0010	Interchange recipient identification	M an..35	M an..35	
0007	Identification code qualifier	C an..4	N	Not used
0014	Interchange recipient internal identification	C an..35	N	Not used
0046	Interchange recipient internal sub-identification	C an..35	N	Not used
S004	Date and time of preparation	M	M	
0017	Date	M n8	M n8	
0019	Time	M n4	M n4	
0020	Interchange control reference	M an..14	M an..14	
S005	Recipient reference/password details	C	N	
0022	Recipient reference/password	M an..14	N	Not used
0025	Recipient reference/password qualifier	C an2	N	Not used
0026	Application reference	C an..14	N	Not used
0029	Processing priority code	C a1	N	Not used
0031	Acknowledgement request	C n1	N	Not used
0032	Interchange agreement identifier	C an..35	N	Not used
0035	Test indicator	C n1	N	Not used

Example:



IMP – IFTSTA



Counte	No	Name	St	MaxOcc	Ebene	Level
--------	----	------	----	--------	-------	-------

0010 3 **UNH** (1) M 1 0 Message header

		Standard	Implementation	
Bez	Name	St Format	St Format	Anwendung / Bemerkung
UNH				
0062	Message reference number	M an..14	M an..14	
S009	Message identifier	M	M	
0065	Message type	M an..6	M an..6	
0052	Message version number	M an..3	M an..3	
0054	Message release number	M an..3	M an..3	
0051	Controlling agency, coded	M an..3	M an..3	
0057	Association assigned code	C an..6	N	Not used
0110	Code list directory version number	C an..6	N	Not used
0113	Message type sub-function identification	C an..6	N	Not used
0068	Common access reference	C an..35	N	Not used
S010	Status of the transfer	C	N	
0070	Sequence of transfers	M n..2	N	Not used
0073	First and last transfer	C a1	N	Not used
S016	Message subset identification	C	N	
0115	Message subset identification	M an..14	N	Not used
0116	Message subset version number	C an..3	N	Not used
0118	Message subset release number	C an..3	N	Not used
0051	Controlling agency, coded	C an..3	N	Not used
S017	Message implementation guideline identification	C	N	
0121	Message implementation guideline identification	M an..14	N	Not used
0122	Message implementation guideline version number	C an..3	N	Not used
0124	Message implementation guideline release number	C an..3	N	Not used
0051	Controlling agency, coded	C an..3	N	Not used
S018	Scenario identification	C	N	
0127	Scenario identification	M an..14	N	Not used
0128	Scenario version number	C an..3	N	Not used
0130	Scenario release number	C an..3	N	Not used
0051	Controlling agency, coded	C an..3	N	Not used

Example:



IMP – IFTSTA



Counte	No	Name	St	MaxOcc	Ebene	Level
--------	----	------	----	--------	-------	-------

0020 4 **BGM** (1) M 1 0 Beginning of message

			Standard	Implementation		
Bez	Name	St	Format	St	Format	Anwendung / Bemerkung
BGM						
C002	Document/message name	C		C		
1001	Document name code	C	an..3	C	an..3	23 Status information
1131	Code list identification code	C	an..17	N		Not used
3055	Code list responsible agency code	C	an..3	N		Not used
1000	Document name	C	an..35	C	an..35	
C106	Document/message identification	C		C		
1004	Document identifier	C	an..35	C	an..35	
1056	Version identifier	C	an..9	N		Not used
1060	Revision identifier	C	an..6	N		Not used
1225	Message function code	C	an..3	N		Not used
4343	Response type code	C	an..3	N		Not used

Example:



IMP – IFTSTA



Counte	No	Name	St	MaxOcc	Ebene	Level
--------	----	------	----	--------	-------	-------

0030 5 **DTM** (1) C 1 1 Date/time/period

		Standard	Implementation	
Bez	Name	St Format	St Format	Anwendung / Bemerkung
DTM				
C507	Date/time/period	M	M	
2005	Date or time or period function code qualifier	M an..3	M an..3	137 Document/message date/time
2380	Date or time or period value	C an..35	C an..35	
2379	Date or time or period format code	C an..3	C an..3	203 CCYYMMDDHHMM

Example:



IMP – IFTSTA



Counte	No	Name	St	MaxOcc	Ebene	Level
--------	----	------	----	--------	-------	-------

0100		SG3 (1)	X	9	1	RFF
------	--	------------------	---	---	---	-----

0110	6	RFF (1)	M	1	1	Additional References
------	---	------------------	---	---	---	-----------------------

Standard			Implementation	
Bez	Name	St Format	St Format	Anwendung / Bemerkung
RFF				
C506	Reference	M	M	
1153	Reference code qualifier	M an..3	M an..3	
1154	Reference identifier	C an..70	M an..70	To specify miscellaneous references; the type of reference is qualified with TypeCode
1156	Document line identifier	C an..6	N	Not used
4000	Reference version identifier	C an..35	N	Not used
1060	Revision identifier	C an..6	N	Not used

Example:



IMP – IFTSTA



Counte	No	Name	St	MaxOcc	Ebene	Level
0160		SG4 (1)	C	1	1	CNI-SG5
0170	7	CNI (1)	M	1	1	Consignments

Standard			Implementation	
Bez	Name	St Format	St Format	Anwendung / Bemerkung
CNI				
1490	Consolidation item number	C n..4	C n..4	
C503	Document/message details	C	N	
1004	Document identifier	C an..35	N	Not used
1373	Document status code	C an..3	N	Not used
1366	Document source description	C an..70	N	Not used
3453	Language name code	C an..3	N	Not used
1056	Version identifier	C an..9	N	Not used
1060	Revision identifier	C an..6	N	Not used
1312	Consignment load sequence identifier	C n..4	N	Not used

Example:



IMP – IFTSTA



Counte	No	Name	St	MaxOcc	Ebene	Level
0160		SG4 (1)	C	1	1	CNI-SG5
0200		SG5 (1)	M	1	2	STS-RFF-DTM-FTX-NAD-LOC-SG6-SG8
0210	8	STS (1)	M	1	2	Status

Standard			Implementation	
Bez	Name	St Format	St Format	Anwendung / Bemerkung
STS				
C601	Status category	C	N	
9015	Status category code	M an..3	N	Not used
1131	Code list identification code	C an..17	N	Not used
3055	Code list responsible agency code	C an..3	N	Not used
C555	Status	C	C	
4405	Status description code	M an..3	M an..3	Status event, coded Code identifying a status event. Note: User or association defined code. May be used in combination with 1131/3055. Status, codiert
1131	Code list identification code	C an..17	C an..17	IMP01
3055	Code list responsible agency code	C an..3	C an..3	DAK
4404	Status description	C an..35	C an..35	A textual description of the status event
C556	Status reason	C	N	
9013	Status reason description code	M an..3	N	Not used
1131	Code list identification code	C an..17	N	Not used
3055	Code list responsible agency code	C an..3	N	Not used
9012	Status reason description	C an..256	N	Not used
C556	Status reason	C	N	
9013	Status reason description code	M an..3	N	Not used
1131	Code list identification code	C an..17	N	Not used
3055	Code list responsible agency code	C an..3	N	Not used
9012	Status reason description	C an..256	N	Not used
C556	Status reason	C	N	
9013	Status reason description code	M an..3	N	Not used
1131	Code list identification code	C an..17	N	Not used
3055	Code list responsible agency code	C an..3	N	Not used
9012	Status reason description	C an..256	N	Not used
C556	Status reason	C	N	
9013	Status reason description code	M an..3	N	Not used
1131	Code list identification code	C an..17	N	Not used
3055	Code list responsible agency code	C an..3	N	Not used
9012	Status reason description	C an..256	N	Not used
C556	Status reason	C	N	
9013	Status reason description code	M an..3	N	Not used
1131	Code list identification code	C an..17	N	Not used
3055	Code list responsible agency code	C an..3	N	Not used
9012	Status reason description	C an..256	N	Not used

Example:



IMP – IFTSTA



Counte	No	Name	St	MaxOcc	Ebene	Level
0160		SG4 (1)	C	1	1	CNI-SG5
0200		SG5 (1)	M	1	2	STS-RFF-DTM-FTX-NAD-LOC-SG6-SG8
0220	9	RFF (1)	C	2	3	IMP Reference or CNTR/BL

Remark: The IMP Reference affected by the status change.

		Standard	Implementation	
Bez	Name	St Format	St Format	Anwendung / Bemerkung
	RFF			
C506	Reference	M	M	
1153	Reference code qualifier	M an..3	M an..3	IMP BM Bill of lading number EQ Equipment number
1154	Reference identifier	C an..70	C an..70	The Import Reference affected by the status change. If the process is not associated with an IMP reference, the B/L number and Container ID have to be reported instead.
1156	Document line identifier	C an..6	N	Not used
4000	Reference version identifier	C an..35	N	Not used
1060	Revision identifier	C an..6	N	Not used

Example:



IMP – IFTSTA



Counte	No	Name	St	MaxOcc	Ebene	Level
0160		SG4 (1)	C	1	1	CNI-SG5
0200		SG5 (1)	M	1	2	STS-RFF-DTM-FTX-NAD-LOC-SG6-SG8
0220	10	RFF (2)	C	9	3	Additional References (Line)

Standard			Implementation	
Bez	Name	St Format	St Format	Anwendung / Bemerkung
RFF				
C506	Reference	M	M	
1153	Reference code qualifier	M an..3	M an..3	ABT Customs declaration number ZZZ Mutually defined reference number ACG ATA carnet number BNR B Number SNR S Number
1154	Reference identifier	C an..70	C an..70	To specify miscellaneous references; the type of reference is qualified with TypeCode.
1156	Document line identifier	C an..6	N	Not used
4000	Reference version identifier	C an..35	N	Not used
1060	Revision identifier	C an..6	N	Not used

Example:



IMP – IFTSTA



Counte	No	Name	St	MaxOcc	Ebene	Level
0160		SG4 (1)	C	1	1	CNI-SG5
0200		SG5 (1)	M	1	2	STS-RFF-DTM-FTX-NAD-LOC-SG6-SG8
0230	11	DTM (1)	M	1	3	Event Date

Standard			Implementation	
Bez	Name	St Format	St Format	Anwendung / Bemerkung
DTM				
C507	Date/time/period	M	M	
2005	Date or time or period function code qualifier	M an..3	M an..3	334 Status change date/time
2380	Date or time or period value	C an..35	C an..35	Date specifying when an event has occurred
2379	Date or time or period format code	C an..3	C an..3	102 CCYYMMDD 203 CCYYMMDDHHMM

Example:



IMP – IFTSTA



Counte	No	Name	St	MaxOcc	Ebene	Level
0160		SG4 (1)	C	1	1	CNI-SG5
0200		SG5 (1)	M	1	2	STS-RFF-DTM-FTX-NAD-LOC-SG6-SG8
0230	12	DTM (2)	D	1	3	Date of inspection

Standard			Implementation	
Bez	Name	St Format	St Format	Anwendung / Bemerkung
DTM				
C507	Date/time/period	M	M	
2005	Date or time or period function code qualifier	M an..3	M an..3	351 Inspection date
2380	Date or time or period value	C an..35	M an..35	Used to specify the date when an inspection should take place (only used for status code 922)
2379	Date or time or period format code	C an..3	M an..3	203 CCYYMMDDHHMM 102 CCYYMMDD

Example:

DTM+351:201006291500:203'



IMP – IFTSTA



Counte	No	Name	St	MaxOcc	Ebene	Level
0160		SG4 (1)	C	1	1	CNI-SG5
0200		SG5 (1)	M	1	2	STS-RFF-DTM-FTX-NAD-LOC-SG6-SG8
0230	13	DTM (3)	D	1	3	New ETA

Standard			Implementation	
Bez	Name	St Format	St Format	Anwendung / Bemerkung
DTM				
C507	Date/time/period	M	M	
2005	Date or time or period function code qualifier	M an..3	M an..3	132 Arrival date/time, estimated
2380	Date or time or period value	C an..35	M an..35	The new ETA of a vessel (only used with status codes 912 and 913)
2379	Date or time or period format code	C an..3	M an..3	102 CCYYMMDD 203 CCYYMMDDHHMM

Example:



IMP – IFTSTA



Counte	No	Name	St	MaxOcc	Ebene	Level
0160		SG4 (1)	C	1	1	CNI-SG5
0200		SG5 (1)	M	1	2	STS-RFF-DTM-FTX-NAD-LOC-SG6-SG8
0230	14	DTM (4)	D	1	3	Discharge date (begin)

Standard			Implementation	
Bez	Name	St Format	St Format	Anwendung / Bemerkung
DTM				
C507	Date/time/period	M	M	
2005	Date or time or period function code qualifier	M an..3	M an..3	96 Discharge date/time
2380	Date or time or period value	C an..35	C an..35	Discharge (begin) - Used only in conjunction with status codes 912 and 913 Löschbeginn - Wird nur in Zusammenhang mit den Statuscodes 912 und 913 verwendet.
2379	Date or time or period format code	C an..3	C an..3	102 CCYYMMDD 203 CCYYMMDDHHMM

Example:



IMP – IFTSTA



Counte	No	Name	St	MaxOcc	Ebene	Level
0160		SG4 (1)	C	1	1	CNI-SG5
0200		SG5 (1)	M	1	2	STS-RFF-DTM-FTX-NAD-LOC-SG6-SG8
0230	15	DTM (5)	D	1	3	Discharge date (end)

Standard			Implementation	
Bez	Name	St Format	St Format	Anwendung / Bemerkung
DTM				
C507	Date/time/period	M	M	
2005	Date or time or period function code qualifier	M an..3	M an..3	413 Discharge and loading completed date/time
2380	Date or time or period value	C an..35	M an..35	Discharge (end) - Used only in conjunction with status codes 912, 913 and 959
2379	Date or time or period format code	C an..3	M an..3	102 CCYYMMDD 203 CCYYMMDDHHMM

Example:



IMP – IFTSTA



Counte	No	Name	St	MaxOcc	Ebene	Level
0160		SG4 (1)	C	1	1	CNI-SG5
0200		SG5 (1)	M	1	2	STS-RFF-DTM-FTX-NAD-LOC-SG6-SG8
0250	16	FTX (1)	C	1	3	AdditionalInformation

Standard			Implementation	
Bez	Name	St Format	St Format	Anwendung / Bemerkung
FTX				
4451	Text subject code qualifier	M an..3	M an..3	AAI General information
4453	Free text function code	C an..3	N	Not used
C107	Text reference	C	N	
4441	Free text value code	M an..17	N	Not used
1131	Code list identification code	C an..17	N	Not used
3055	Code list responsible agency code	C an..3	N	Not used
C108	Text literal	C	C	
4440	Free text value	M an..512	M an..512	Additional free text information on a status event
4440	Free text value	C an..512	N	Not used
4440	Free text value	C an..512	N	Not used
4440	Free text value	C an..512	N	Not used
4440	Free text value	C an..512	N	Not used
3453	Language name code	C an..3	N	Not used
4447	Free text format code	C an..3	N	Not used

Example:



IMP – IFTSTA



Counte	No	Name	St	MaxOcc	Ebene	Level
0160		SG4 (1)	C	1	1	CNI-SG5
0200		SG5 (1)	M	1	2	STS-RFF-DTM-FTX-NAD-LOC-SG6-SG8
0260	17	NAD (1)	C	9	3	Involved Party

Remark: Details on a party involved in an IMP process. The "Party Qualifier" (Data Element 3035) describes, how the party is involved with the process.

Standard			Implementation	
Bez	Name	St Format	St Format	Anwendung / Bemerkung
NAD				
3035	Party function code qualifier	M an..3	M an..3	
C082	Party identification details	C	C	
3039	Party identifier	M an..35	M an..35	
1131	Code list identification code	C an..17	N	Not used
3055	Code list responsible agency code	C an..3	N	Not used
C058	Name and address	C	C	
3124	Name and address description	M an..35	M an..35	
3124	Name and address description	C an..35	C an..35	
3124	Name and address description	C an..35	C an..35	
3124	Name and address description	C an..35	C an..35	
3124	Name and address description	C an..35	C an..35	
C080	Party name	C	N	
3036	Party name	M an..35	N	Not used
3036	Party name	C an..35	N	Not used
3036	Party name	C an..35	N	Not used
3036	Party name	C an..35	N	Not used
3036	Party name	C an..35	N	Not used
3045	Party name format code	C an..3	N	Not used
C059	Street	C	N	
3042	Street and number or post office box identifier	M an..35	N	Not used
3042	Street and number or post office box identifier	C an..35	N	Not used
3042	Street and number or post office box identifier	C an..35	N	Not used
3042	Street and number or post office box identifier	C an..35	N	Not used
3164	City name	C an..35	N	Not used
C819	Country sub-entity details	C	N	
3229	Country sub-entity name code	C an..9	N	Not used
1131	Code list identification code	C an..17	N	Not used
3055	Code list responsible agency code	C an..3	N	Not used
3228	Country sub-entity name	C an..35	N	Not used
3251	Postal identification code	C an..17	N	Not used
3207	Country name code	C an..3	N	Not used

Example:



IMP – IFTSTA



Counte	No	Name	St	MaxOcc	Ebene	Level
0160		SG4 (1)	C	1	1	CNI-SG5
0200		SG5 (1)	M	1	2	STS-RFF-DTM-FTX-NAD-LOC-SG6-SG8
0270	18	LOC (1)	C	1	3	Event Location

Remark: Location or place where an event has occurred. If this information isn't provided, transport means information (SG6/TDT) has to be provided.

Standard			Implementation	
Bez	Name	St Format	St Format	Anwendung / Bemerkung
LOC				
3227	Location function code qualifier	M an..3	M an..3	172 Reporting location
C517	Location identification	C	R	
3225	Location name code	C an..25	M an..25	To identify a location or place with an identifier
1131	Code list identification code	C an..17	N	Not used
3055	Code list responsible agency code	C an..3	N	Not used
3224	Location name	C an..256	C an..256	The name of a location or place in plain text
C519	Related location one identification	C	R	
3223	First related location name code	C an..25	D an..25	Berth code - Mandatory for terminal status messages
1131	Code list identification code	C an..17	N	Not used
3055	Code list responsible agency code	C an..3	N	Not used
3222	First related location name	C an..70	C an..70	
C553	Related location two identification	C	N	
3233	Second related location name code	C an..25	N	Not used
1131	Code list identification code	C an..17	N	Not used
3055	Code list responsible agency code	C an..3	N	Not used
3232	Second related location name	C an..70	N	Not used
5479	Relation code	C an..3	N	Not used

Example:



IMP – IFTSTA



Counte	No	Name	St	MaxOcc	Ebene	Level
0160		SG4 (1)	C	1	1	CNI-SG5
0200		SG5 (1)	M	1	2	STS-RFF-DTM-FTX-NAD-LOC-SG6-SG8
0290		SG6 (1)	C	1	3	TDT-RFF
0300	19	TDT (1)	M	1	3	Vessel Information

Remark: Information on the means of transport to which a status event is related. If no TDT information is given, an Event Location (SG5/LOC) has to be provided.

		Standard		Implementation	
Bez	Name	St	Format	St	Format / Bemerkung
	TDT				
8051	Transport stage code qualifier	M	an..3	M	an..3
					Das IMP-Datenmodell sieht in der Statusnachricht keinen Wert für den aktuellen Transportabschnitt vor, stattdessen gibt es entsprechende Komponenten z.B. für den Vor-, Nach- und Hauptlauf. 1 Inland transport 20 Main-carriage transport
8028	Means of transport journey identifier	C	an..17	C	an..17
C220	Mode of transport	C		C	
8067	Transport mode name code	C	an..3	C	an..3
8066	Transport mode name	C	an..17	N	Not used
					1 Maritime transport
C228	Transport means	C		C	
8179	Transport means description code	C	an..8	C	an..8
8178	Transport means description	C	an..17	N	Not used
C040	Carrier	C		C	
3127	Carrier identifier	C	an..17	C	an..17
1131	Code list identification code	C	an..17	N	Not used
3055	Code list responsible agency code	C	an..3	N	Not used
3128	Carrier name	C	an..35	C	an..35
8101	Transit direction indicator code	C	an..3	N	Not used
C401	Excess transportation information	C		N	
8457	Excess transportation reason code	M	an..3	N	Not used
8459	Excess transportation responsibility code	M	an..3	N	Not used
7130	Customer shipment authorisation identifier	C	an..17	N	Not used
C222	Transport identification	C		C	
8213	Transport means identification name identifier	C	an..9	C	an..9
1131	Code list identification code	C	an..17	N	Not used
3055	Code list responsible agency code	C	an..3	N	Not used
8212	Transport means identification name	C	an..35	C	an..35
8453	Transport means nationality code	C	an..3	N	Not used
8281	Transport means ownership indicator code	C	an..3	N	Not used

Example:



IMP – IFTSTA



Counte	No	Name	St	MaxOcc	Ebene	Level
0160		SG4 (1)	C	1	1	CNI-SG5
0200		SG5 (1)	M	1	2	STS-RFF-DTM-FTX-NAD-LOC-SG6-SG8
0290		SG6 (1)	C	1	3	TDT-RFF
0320	20	RFF (1)	C	1	4	Call Sign

Standard			Implementation	
Bez	Name	St Format	St Format	Anwendung / Bemerkung
RFF				
C506	Reference	M	M	
1153	Reference code qualifier	M an..3	M an..3	VM Vessel identification
1154	Reference identifier	C an..70	C an..70	
1156	Document line identifier	C an..6	N	Not used
4000	Reference version identifier	C an..35	N	Not used
1060	Revision identifier	C an..6	N	Not used

Example:



IMP – IFTSTA



Counte	No	Name	St	MaxOcc	Ebene	Level
0160		SG4 (1)	C	1	1	CNI-SG5
0200		SG5 (1)	M	1	2	STS-RFF-DTM-FTX-NAD-LOC-SG6-SG8
0360		SG8 (1)	C	1	3	EQD-SEL
Remark: Properties of a specific container affected by a status event.						
0370	21	EQD (1)	M	1	3	Containerinformationen

Standard			Implementation	
Bez	Name	St Format	St Format	Anwendung / Bemerkung
EQD				
8053	Equipment type code qualifier	M an..3	M an..3	CN Container
C237	Equipment identification	C	C	
8260	Equipment identifier	C an..17	C an..17	Containernummer
1131	Code list identification code	C an..17	N	Not used
3055	Code list responsible agency code	C an..3	N	Not used
3207	Country name code	C an..3	N	Not used
C224	Equipment size and type	C	C	
8155	Equipment size and type description code	C an..10	C an..10	Container SizeType
1131	Code list identification code	C an..17	N	Not used
3055	Code list responsible agency code	C an..3	N	Not used
8154	Equipment size and type description	C an..35	N	Not used
8077	Equipment supplier code	C an..3	C an..3	Shippers Own Indicator
8249	Equipment status code	C an..3	N	Not used
8169	Full or empty indicator code	C an..3	N	Not used

Example:



IMP – IFTSTA



Counte	No	Name	St	MaxOcc	Ebene	Level
0160		SG4 (1)	C	1	1	CNI-SG5
0200		SG5 (1)	M	1	2	STS-RFF-DTM-FTX-NAD-LOC-SG6-SG8
0360		SG8 (1)	C	1	3	EQD-SEL
Remark: Properties of a specific container affected by a status event.						
0400	22	SEL (1)	C	9	4	Seal number

			Standard	Implementation	
Bez	Name	St	Format	St	Format / Anwendung / Bemerkung
SEL					
9308	Seal identifier	C	an..35	C	an..35
C215	Seal issuer	C		C	
9303	Sealing party name code	C	an..3	C	an..3
1131	Code list identification code	C	an..17	N	Not used
3055	Code list responsible agency code	C	an..3	N	Not used
9302	Sealing party name	C	an..35	C	an..35
4517	Seal condition code	C	an..3	C	an..3
C208	Identity number range	C		C	
7402	Object identifier	M	an..35	M	an..35
7402	Object identifier	C	an..35	C	an..35

Example:



IMP – IFTSTA



Counte	No	Name	St	MaxOcc	Ebene	Level
--------	----	------	----	--------	-------	-------

0620 23 **UNT** (1) M 1 0 Message trailer

		Standard	Implementation	
Bez	Name	St Format	St Format	Anwendung / Bemerkung
UNT				
0074	Number of segments in a message	M n..10	M n..10	
0062	Message reference number	M an..14	M an..14	

Example:



IMP – IFTSTA



Counte	No	Name	St	MaxOcc	Ebene	Level
--------	----	------	----	--------	-------	-------

0000 24 **UNZ** (1) M 1 0 Interchange trailer

		Standard	Implementation	
Bez	Name	St Format	St Format	Anwendung / Bemerkung
UNZ				
0036	Interchange control count	M n..6	M n..6	
0020	Interchange control reference	M an..14	M an..14	

Example: