



IMP - APERAK



Implementation Guide Response Message (APERAK)



Business Integration for the Port of Hamburg

Version 1.2

DAKOSY
Datenkommunikationssystem AG
Mattentwiete 2
20457 Hamburg
Telefon: 040 370 03 – 0 Fax: - 370

Erstellt von	IMP Arbeitsgruppe	2010
Geprüft von	: IMP Arbeitsgruppe	
Freigegeben von	:	
Aktuelle Version auf:	http://www.imp-hamburg.de/	
Datei	: aperak_imp_mig_en.doc	
Verwendungshinweis	:	



IMP - APERAK



Change History

Version	Concerned section	Reason	Name	Date
1.1		First english version	Blanken	2010-10-27
1.2		Added B/L-no with RFF+BM	Schwanke	2011-01-04

For change requests please contact:

DAKOSY
Datenkommunikationssystem AG
- EDI Services -
Mattentwiete 2
20457 Hamburg
Telefon:040 / 37003-0
Fax: 040/37003-370
Email: info@dakosy.de



Table of Contents:

1	RESPONSE MESSAGES IN IMP.....	4
2	MESSAGE CONTENTS	4
3	MESSAGE STRUCTURE	5
4	BRANCHING DIAGRAM	6
5	SEGMENT DESCRIPTION.....	11



1 Response Messages in IMP

Similar to other EDI systems at DAKOSY, IMP features acknowledgement messages to confirm the receipt and processing status to the sender of an EDI message.

Within the Import Message Platform, these response messages have a special function when confirming the receipt of an Import Operation Instruction from the forwarder, informing him about the IMP Reference number assigned to his instruction message.

IMP offers response messages in two different formats, either as an XML message (type "Response") or an EDIFACT message of type "APERAK". The response message will always be generated in accordance with the format of the message acknowledged, i.e. inbound EDIFACT messages will be acknowledged with an APERAK whereas inbound XML messages will be acknowledged with an XML Response.

This document describes the **EDIFACT APERAK**.

2 Message Contents

Response messages sent from IMP contain the following data items:

- Reference Number („Message Reference Number“) of the original message
- Date when the original message was received at DAKOSY
- One or more additional references (e.g. IMP reference)
- (Optional) Contact person at DAKOSY
- Error Code and Error Description



3 Message Structure

Counte	No	Tag	St	MaxOcc	Level	Content	
	0000	1	UNA	C	1	0	Service string advice
	0000	2	UNB	M	1	0	Interchange header
	0010	3	UNH	M	1	0	Message header
	0020	4	BGM	M	1	0	Beginning of message
	0090		SG2	M	9	1	RFF-DTM
	0100	5	RFF	M	1	1	Reference number of the original message
	0110	6	DTM	O	9	2	Date of receipt of the original message
	0090		SG2	D	9	1	RFF
	0100	7	RFF	M	1	1	Additional Reference(s)
	0090		SG2	D	1	1	RFF
	0100	8	RFF	M	1	1	Additional Reference (IFTMCS only)
	0090		SG2	C	9	1	RFF
	0100	9	RFF	M	1	1	Reference
	0120		SG3	C	1	1	Contact person at the APERAK's sender
	0130	10	NAD	M	1	1	Name and address
	0140	11	CTA	C	1	2	Contact information
	0150	12	COM	C	1	2	Phone Number
	0150	13	COM	C	1	2	E-Mail Address
	0150	14	COM	C	1	2	Telefax
	0160		SG4	C	99999	1	ERC-FTX
	0170	15	ERC	M	1	1	Application error information
	0180	16	FTX	M	1	2	Error Description
	0220	17	UNT	M	1	0	Message trailer
	0000	18	UNZ	M	1	0	Interchange trailer



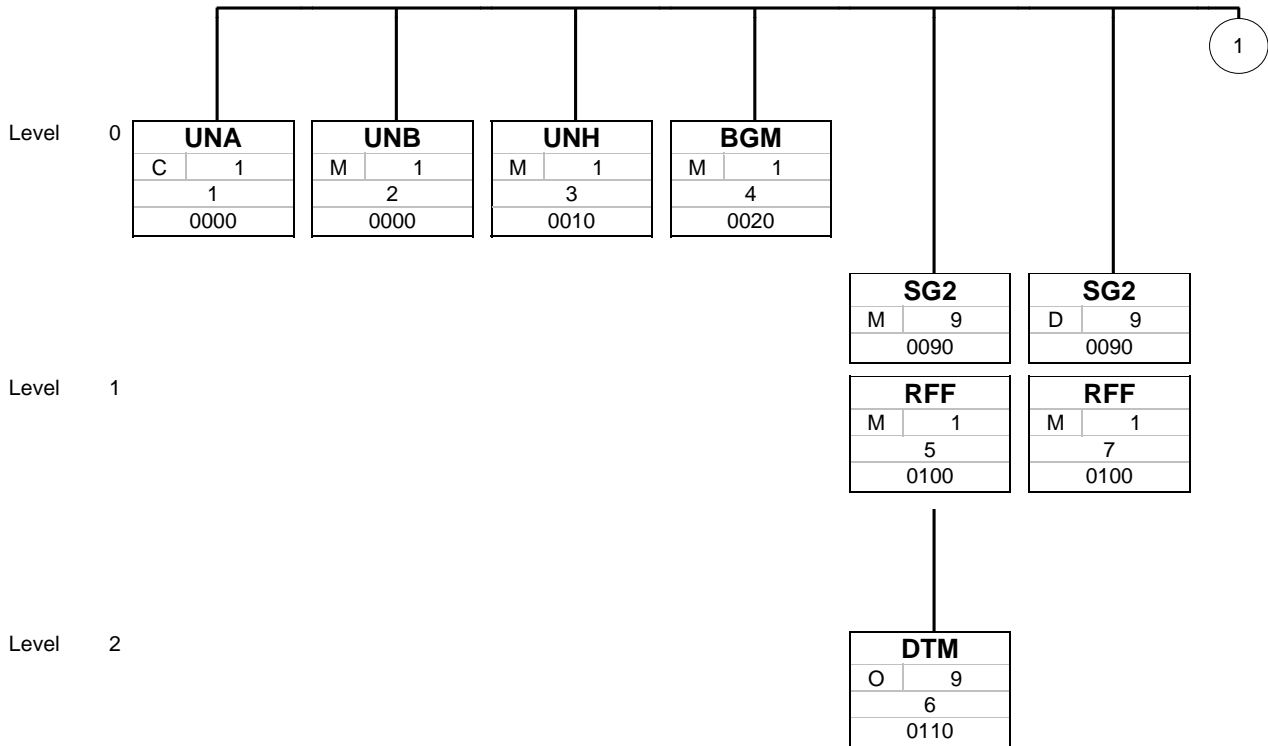
IMP - APERAK



4 Branching Diagram

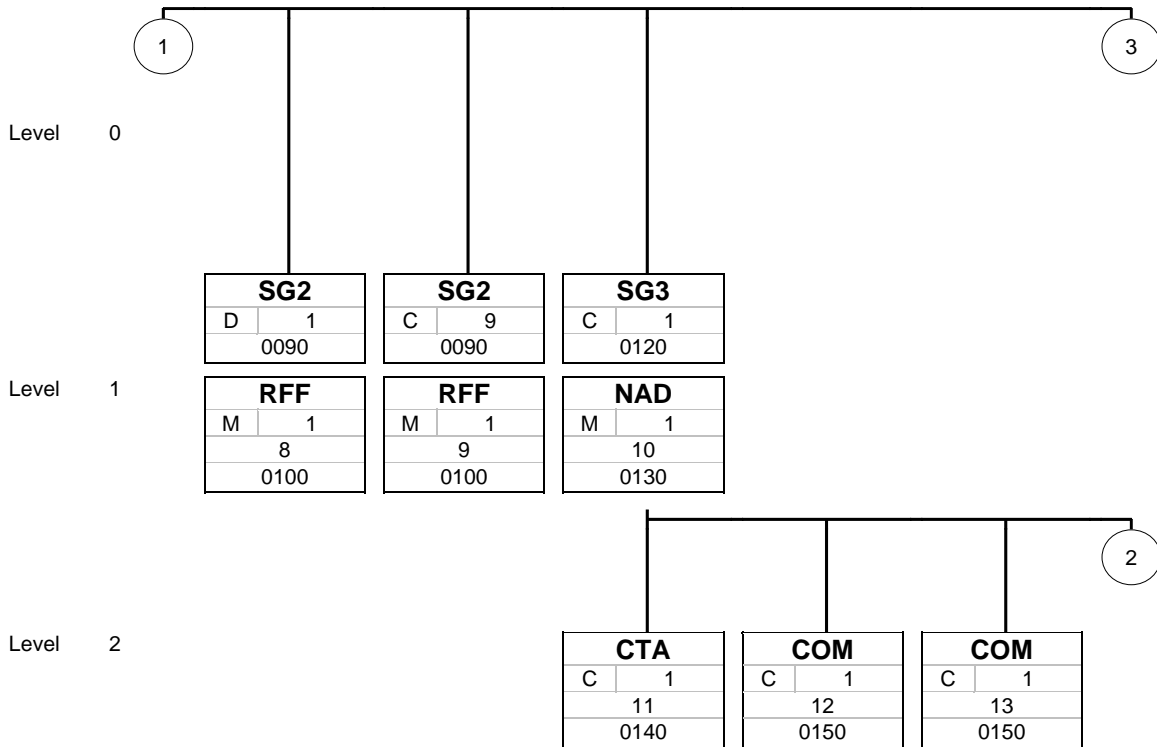


IMP - APERAK





IMP - APERAK





IMP - APERAK

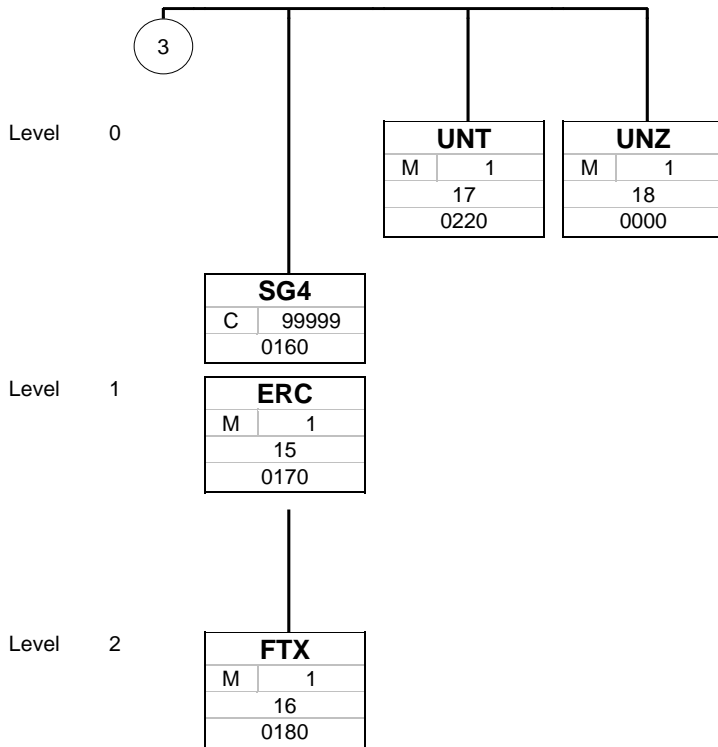


Level 2

COM	
C	1
14	
0150	



IMP - APERAK





5 Segment Description

Counte	No	Name	St	MaxOcc	Ebene	Level
--------	----	------	----	--------	-------	-------

0000	1	UNA (1)	C	1	0	Service string advice
------	---	------------------	---	---	---	-----------------------

			Standard	Implementation		
Bez	Name	St	Format	St	Format	Anwendung / Bemerkung
UNA						
UNA1	Component data element separator	M	an1	M	an1	
UNA2	Data element separator	M	an1	M	an1	
UNA3	Decimal mark	M	an1	M	an1	
UNA4	Release character	M	an1	M	an1	
UNA5	Repetition separator	M	an1	M	an1	
UNA6	Segment terminator	M	an1	M	an1	

Example:

UNA : + . ? ' '



IMP - APERAK



Counte	No	Name	St	MaxOcc	Ebene	Level
--------	----	------	----	--------	-------	-------

0000	2	UNB (1)	M	1	0	Interchange header
------	---	------------------	---	---	---	--------------------

Standard			Implementation		
Bez	Name	St Format	St Format	Anwendung / Bemerkung	
UNB					
S001	Syntax identifier	M	M		
0001	Syntax identifier	M a4	M a4		
0002	Syntax version number	M an1	M an1		
0080	Service code list directory version number	C an..6	N	Not used	
0133	Character encoding, coded	C an..3	N	Not used	
S002	Interchange sender	M	M		
0004	Interchange sender identification	M an..35	M an..35		
0007	Identification code qualifier	C an..4	N	Not used	
0008	Interchange sender internal identification	C an..35	N	Not used	
0042	Interchange sender internal sub-identification	C an..35	N	Not used	
S003	Interchange recipient	M	M		
0010	Interchange recipient identification	M an..35	M an..35		
0007	Identification code qualifier	C an..4	N	Not used	
0014	Interchange recipient internal identification	C an..35	N	Not used	
0046	Interchange recipient internal sub-identification	C an..35	N	Not used	
S004	Date and time of preparation	M	M		
0017	Date	M n8	M n8		
0019	Time	M n4	M n4		
0020	Interchange control reference	M an..14	M an..14		
S005	Recipient reference/password details	C	N		
0022	Recipient reference/password	M an..14	N	Not used	
0025	Recipient reference/password qualifier	C an2	N	Not used	
0026	Application reference	C an..14	N	Not used	
0029	Processing priority code	C a1	N	Not used	
0031	Acknowledgement request	C n1	N	Not used	
0032	Interchange agreement identifier	C an..35	N	Not used	
0035	Test indicator	C n1	N	Not used	

Example:

UNB+UNOC:3+IMP+DKL+20080828:1049+3144



IMP - APERAK



Counte	No	Name	St	MaxOcc	Ebene	Level
--------	----	------	----	--------	-------	-------

0010	3	UNH (1)	M	1	0	Message header
------	---	------------------	---	---	---	----------------

Standard			Implementation		
Bez	Name	St Format	St Format	Anwendung / Bemerkung	
UNH					
0062	Message reference number	M an..14	M an..14		
S009	Message identifier	M	M		
0065	Message type	M an..6	M an..6		
0052	Message version number	M an..3	M an..3		
0054	Message release number	M an..3	M an..3		
0051	Controlling agency, coded	M an..3	M an..3		
0057	Association assigned code	C an..6	C an..6		
0110	Code list directory version number	C an..6	N	Not used	
0113	Message type sub-function identification	C an..6	N	Not used	
0068	Common access reference	C an..35	N	Not used	
S010	Status of the transfer	C	N		
0070	Sequence of transfers	M n..2	N	Not used	
0073	First and last transfer	C a1	N	Not used	
S016	Message subset identification	C	N		
0115	Message subset identification	M an..14	N	Not used	
0116	Message subset version number	C an..3	N	Not used	
0118	Message subset release number	C an..3	N	Not used	
0051	Controlling agency, coded	C an..3	N	Not used	
S017	Message implementation guideline identification	C	N		
0121	Message implementation guideline identification	M an..14	N	Not used	
0122	Message implementation guideline version number	C an..3	N	Not used	
0124	Message implementation guideline release number	C an..3	N	Not used	
0051	Controlling agency, coded	C an..3	N	Not used	
S018	Scenario identification	C	N		
0127	Scenario identification	M an..14	N	Not used	
0128	Scenario version number	C an..3	N	Not used	
0130	Scenario release number	C an..3	N	Not used	
0051	Controlling agency, coded	C an..3	N	Not used	

Example:

UNH+12407045+APERAK:D:00B:UN:DAKL'



IMP - APERAK



Counte No Name St MaxOcc Ebene Level

0020 4 **BGM** (1) M 1 0 Beginning of message

Standard			Implementation	
Bez	Name	St Format	St Format	Anwendung / Bemerkung
BGM				
C002	Document/message name	C	C	
1001	Document name code	C an..3	M an..3	313 Application error message
1131	Code list identification code	C an..17	N	Not used
3055	Code list responsible agency code	C an..3	N	Not used
1000	Document name	C an..35	N	Not used
C106	Document/message identification	C	N	
1004	Document identifier	C an..35	N	Not used
1056	Version identifier	C an..9	N	Not used
1060	Revision identifier	C an..6	N	Not used
1225	Message function code	C an..3	M an..3	
4343	Response type code	C an..3	M an..3	AP Accepted RE Rejected

Example:

BGM+313++9+AP'



IMP - APERAK



Counte	No	Name	St	MaxOcc	Ebene	Level
0090		SG2 (1)	M	9	1	RFF-DTM
0100	5	RFF (1)	M	1	1	Reference number of the original message

Standard			Implementation	
Bez	Name	St Format	St Format	Anwendung / Bemerkung
RFF				
C506	Reference	M	M	
1153	Reference code qualifier	M an..3	M an..3	ACW Reference number to previous message
1154	Reference identifier	C an..70	M an..70	Reference number of the original message (the message to which this response belongs). This is the "Message Reference Number" from segment BGM of the original message.
1156	Document line identifier	C an..6	N	Not used
4000	Reference version identifier	C an..35	N	Not used
1060	Revision identifier	C an..6	N	Not used

Example:

RFF+ACW: 3667840'



IMP - APERAK



Counte	No	Name	St	MaxOcc	Ebene	Level
0090		SG2 (1)	M	9	1	RFF-DTM
0110	6	DTM (1)	O	9	2	Date of receipt of the original message

Standard			Implementation	
Bez	Name	St Format	St Format	Anwendung / Bemerkung
DTM				
C507	Date/time/period	M	M	
2005	Date or time or period function code qualifier	M an..3	M an..3	182 Issue date
2380	Date or time or period value	C an..35	M an..35	Receiving date of the original message to which this APERAK refers
2379	Date or time or period format code	C an..3	M an..3	203 CCYYMMDDHHMM

Example:

DTM+182:200808121536:203'



IMP - APERAK



Counte	No	Name	St	MaxOcc	Ebene	Level
0090		SG2 (2)	D	9	1	RFF
0100	7	RFF (1)	M	1	1	Additional Reference(s)

Standard			Implementation	
Bez	Name	St Format	St Format	Anwendung / Bemerkung
RFF				
C506	Reference	M	M	
1153	Reference code qualifier	M an..3	M an..3	IMP IMP Reference AES Primary reference
1154	Reference identifier	C an..70	M an..70	
1156	Document line identifier	C an..6	N	Not used
4000	Reference version identifier	C an..35	N	Not used
1060	Revision identifier	C an..6	N	Not used

Example:

RFF+IMP:I08H12401365789401'



IMP - APERAK



Counte	No	Name	St	MaxOcc	Ebene	Level
0090		SG2 (3)	D	1	1	RFF
0100	8	RFF (1)	M	1	1	Additional Reference (IFTMCS only)

Standard			Implementation	
Bez	Name	St Format	St Format	Anwendung / Bemerkung
RFF				
C506	Reference	M	M	
1153	Reference code qualifier	M an..3	M an..3	AGO Sender's reference to the original message
1154	Reference identifier	C an..70	M an..35	When responding to an IFTMCS message, this field contains to the contents of segment FTX+MKS in the original IFTMCS.
1156	Document line identifier	C an..6	N	Not used
4000	Reference version identifier	C an..35	N	Not used
1060	Revision identifier	C an..6	N	Not used

Example:

RFF+AGO:DAXX5997170XXADCA173974'



IMP - APERAK



Counte	No	Name	St	MaxOcc	Ebene	Level
0090		SG2 (4)	C	9	1	RFF
0100	9	RFF (1)	M	1	1	B/L-Nummer B/L-Number

Standard			Implementation	
Bez	Name	St Format	St Format	Anwendung / Bemerkung
RFF				
C506	Reference	M	M	
1153	Reference code qualifier	M an..3	M an..3	BM Bill of lading number
1154	Reference identifier	C an..70	M an..70	
1156	Document line identifier	C an..6	N	Not used
4000	Reference version identifier	C an..35	N	Not used
1060	Revision identifier	C an..6	N	Not used

Example:
RFF+BM:X'



IMP - APERAK



Counte	No	Name	St	MaxOcc	Ebene	Level
0120		SG3 (1)	C	1	1	Contact person at the APERAK's sender
0130	10	NAD (1)	M	1	1	Name and address

Standard			Implementation	
Bez	Name	St Format	St Format	Anwendung / Bemerkung
NAD				
3035	Party function code qualifier	M an..3	M an..3	MS Document/message issuer/sender
C082	Party identification details	C	M	
3039	Party identifier	M an..35	M an..35	DAKOSY participant code of the APERAK sender
1131	Code list identification code	C an..17	N	Not used
3055	Code list responsible agency code	C an..3	N	Not used
C058	Name and address	C	N	
3124	Name and address description	M an..35	N	Not used
3124	Name and address description	C an..35	N	Not used
3124	Name and address description	C an..35	N	Not used
3124	Name and address description	C an..35	N	Not used
3124	Name and address description	C an..35	N	Not used
C080	Party name	C	N	
3036	Party name	M an..35	N	Not used
3036	Party name	C an..35	N	Not used
3036	Party name	C an..35	N	Not used
3036	Party name	C an..35	N	Not used
3036	Party name	C an..35	N	Not used
3045	Party name format code	C an..3	N	Not used
C059	Street	C	N	
3042	Street and number or post office box identifier	M an..35	N	Not used
3042	Street and number or post office box identifier	C an..35	N	Not used
3042	Street and number or post office box identifier	C an..35	N	Not used
3042	Street and number or post office box identifier	C an..35	N	Not used
3164	City name	C an..35	N	Not used
C819	Country sub-entity details	C	N	
3229	Country sub-entity name code	C an..9	N	Not used
1131	Code list identification code	C an..17	N	Not used
3055	Code list responsible agency code	C an..3	N	Not used
3228	Country sub-entity name	C an..35	N	Not used
3251	Postal identification code	C an..17	N	Not used
3207	Country name code	C an..3	N	Not used

Example:
NAD+MS+DAK '



IMP - APERAK



Counte	No	Name	St	MaxOcc	Ebene	Level
--------	----	------	----	--------	-------	-------

0120		SG3 (1)	C	1	1	Contact person at the APERAK's sender
------	--	------------------	---	---	---	---------------------------------------

0140	11	CTA (1)	C	1	2	Contact information
------	----	------------------	---	---	---	---------------------

Remark: Contact Information of the person in charge at the sender of the response message. If this contact information is given, at least one of the following COM segments has to be used.

Standard			Implementation	
Bez	Name	St Format	St Format	Anwendung / Bemerkung
CTA				
3139	Contact function code	C an..3	M an..3	MS Message sender contact
C056	Department or employee details	C	M	
3413	Department or employee name code	C an..17	N	Not used
3412	Department or employee name	C an..35	M an..35	

Example:

CTA+MS+ : BLANKEN '



IMP - APERAK



Counte	No	Name	St	MaxOcc	Ebene	Level
0120		SG3 (1)	C	1	1	Contact person at the APERAK's sender
0150	12	COM (1)	C	1	2	Phone Number

Remark: Telephone communication number

Standard			Implementation	
Bez	Name	St Format	St Format	Anwendung / Bemerkung
COM				
C076	Communication contact	M	M	
3148	Communication address identifier	M an..512	M an..512	
3155	Communication address code qualifier	M an..3	M an..3	TE Telephone

Example:

COM+04037003000:TE'



IMP - APERAK



Counte	No	Name	St	MaxOcc	Ebene	Level
0120		SG3 (1)	C	1	1	Contact person at the APERAK's sender
0150	13	COM (2)	C	1	2	E-Mail Address

Remark: Email-Adresse des Partners

Standard			Implementation	
Bez	Name	St Format	St Format	Anwendung / Bemerkung
COM				
C076	Communication contact	M	M	
3148	Communication address identifier	M an..512	M an..512	
3155	Communication address code qualifier	M an..3	M an..3	EM Electronic mail

Example:

COM+uzdas@dakosy.de:EM'



IMP - APERAK



Counte	No	Name	St	MaxOcc	Ebene	Level
0120		SG3 (1)	C	1	1	Contact person at the APERAK's sender
0150	14	COM (3)	C	1	2	Telefax

Remark: Telefax communication number

Standard			Implementation	
Bez	Name	St Format	St Format	Anwendung / Bemerkung
COM				
C076	Communication contact	M	M	
3148	Communication address identifier	M an..512	M an..512	
3155	Communication address code qualifier	M an..3	M an..3	FX Telefax

Example:

COM+04037003000:FX'



IMP - APERAK



Counte	No	Name	St	MaxOcc	Ebene	Level
0160		SG4 (1)	C	99999	1	ERC-FTX
0170	15	ERC (1)	M	1	1	Application error information

Standard			Implementation	
Bez	Name	St Format	St Format	Anwendung / Bemerkung
ERC				
C901	Application error detail	M	M	
9321	Application error code	M an..8	M an..8	
1131	Code list identification code	C an..17	C an..17	IMP02 IMP Fehlercodes / IMP Error Codes
3055	Code list responsible agency code	C an..3	C an..3	DAK DAKOSY

Example:

ERC+150:IMP02:DAK'



IMP - APERAK



Counte	No	Name	St	MaxOcc	Ebene	Level
0160		SG4 (1)	C	99999	1	ERC-FTX
0180	16	FTX (1)	M	1	2	Error Description

Standard			Implementation	
Bez	Name	St Format	St Format	Anwendung / Bemerkung
FTX				
4451	Text subject code qualifier	M an..3	M an..3	AAO Error description (free text)
4453	Free text function code	C an..3	N	Not used
C107	Text reference	C	N	
4441	Free text value code	M an..17	N	Not used
1131	Code list identification code	C an..17	N	Not used
3055	Code list responsible agency code	C an..3	N	Not used
C108	Text literal	C	M	
4440	Free text value	M an..512	M an..70	
4440	Free text value	C an..512	C an..70	
4440	Free text value	C an..512	C an..70	
4440	Free text value	C an..512	C an..70	
4440	Free text value	C an..512	C an..70	
3453	Language name code	C an..3	C an..3	
4447	Free text format code	C an..3	N	Not used

Example:

FTX+AAO+++UNKNOWN:IMP:REFERENCE:NUMBER:FOUND+DE'



IMP - APERAK



Counte	No	Name	St	MaxOcc	Ebene	Level
--------	----	------	----	--------	-------	-------

0220	17	UNT (1)	M	1	0	Message trailer
------	----	------------------	---	---	---	-----------------

Standard			Implementation	
Bez	Name	St Format	St Format	Anwendung / Bemerkung
UNT				
0074	Number of segments in a message	M n..10	M n..10	
0062	Message reference number	M an..14	M an..14	

Example:

UNT+15+12407045'



IMP - APERAK



Counte	No	Name	St	MaxOcc	Ebene	Level
--------	----	------	----	--------	-------	-------

0000	18	UNZ (1)	M	1	0	Interchange trailer
------	----	------------------	---	---	---	---------------------

Standard			Implementation	
Bez	Name	St Format	St Format	Anwendung / Bemerkung
UNZ				
0036	Interchange control count	M n..6	M n..6	
0020	Interchange control reference	M an..14	M an..14	

Example:

UNZ+1+3144'