



Message Implementation Guide IFTMCS - Manifest Data



Business Integration for the Port of Hamburg

Version 1.8

DAKOSY

Datenkommunikationssystem AG

Mattentwiete 2

20457 Hamburg

Telefon: 040 370 03 – 0 Fax: - 370

Erstellt von	IMP Arbeitsgruppe	2011
Geprüft von	: IMP Arbeitsgruppe	
Freigegeben von	:	
Aktuelle Version auf:	http://www.imp-hamburg.de/	
Datei	: IFTMCS_IMP_en.doc	
Verwendungshinweis	: Draft, nicht abgeschlossen / freigegeben	



IMP - Manifest



Change History

Version	Section	Reason	Name	Date
1.0.0-rc4	all	First english version	Blanken	2010-06-23
1.0.0-rc5	1-4 all	Revised introductory sections to reflect changed usage of BGM and RFF+BGM Modified codes in segment RFF+BGM.1156 Added Segment FTX+ADW in SG18 to allow specification of a commodity type for the summary declaration	Blanken	2010-06-25
1.0.2	8	Corrected/Revised a number of segment descriptions; removed ICS-Specific texts Assoc. Code "IMP10" has to be used in segment UNH Segment SEL can be repeated Segment TPL can be used to indicate the name of the means of transport for on-carriage A container's gross weight can be indicated now	Blanken	2010-09-09
1.2		Added Segments needed for Re-Export Notification, EXS and statistical purposes: - FTX+ENS (header level) - LOC+91 (header level) - RFF+DIR, RFF+CUS (header level) - LOC+41, LOC+42, RFF+DAK (within TDT+20) - TDT+30 - Added code VIN (Vehicle Ident Number) to segment EQD - Added Container Operator Code to NAD+CF (within EQD) - Max. occurrences of Segment Group EQD now 99999	Blanken	2010-10-25
1.3		- Shortened Version History (removed any entries before version 1.0.0) - Removed a number of segments which are currently unused. However, continued usage of these segments will not result in a rejection of the message - Added possibility to indicate ENS MRN for summary declaration of temp. storage in FTX+ENS instead of RFF+MRN - Added DAKOSY/SIS Voyage number in TDT+30 - Changed qualifier of final port of discharge in TDT+20/TDT+30 to 170 - RFF+MRN on Goods Items level is mandatory for the summary declaration of temp. storage, however, only the ENS position must be provided there - Lifted restriction of just 1 DGS segment per GID	Blanken	2010-12-03
1.4		- Corrected status of numerous data elements (no segments were - Included NAD+SN (Warehouse/Storage Keeper) Again	Malzahn Blanken	2010-12-13
1.5		- Defined values for recipient in UNB	Schwanke	2011-01-04



IMP - Manifest



Version	Section	Reason	Name	Date
		<ul style="list-style-type: none"> - Terminal in LOC+11 becomes mandatory - RFF+BGM: removed element 1156 - added ATB-No on EQD-level (RFF+XC) - added Kind of previous customs declaration („Vor-papierart“) in RFF+AEI - DIM:additional qualifiers allowed - RFF+DIR: additional comments 		
1.6		<ul style="list-style-type: none"> - weight formats unified (14,3) - FTX+ENS not required anymore; marked as depre-cated. - RFF+AEI introduced on GID-level - RFF+AEI on B/L level: 1156 removed - FTX+AAH: remove several codes - Descriptions revised in RFF+AEI, RFF+DIR et al. 	Schwanke	2011-01-29
1.7		<ul style="list-style-type: none"> - added element 4000 in RF+AEI (previous document type) - EQD: Breakbulk may be qualified with BB - new: LOC+28 for destination country - MEA (28): weight now defined with decimals 	Schwanke	2011-03-10
1.8		<ul style="list-style-type: none"> - RFF+DIR: Value "TSE" (Transshipment Export) added; Description to value "TS" changed into "Transshipment (Import)". - Specification of terminal in LOC+11 (Port of Di-charge) and specification of the related DTM+132 is only required, if the IFTMCS is the basis for the SumA - Termint information in LOC+9 (Port of Loading) and DTM+133 (ETD) within LOC+9 added, required in-formation, if the IFTMCS is used as Export manifest (RFF+DIR = 'E' er 'TSE'). - RFF+AEI can be repeated on header level.This is necessary, since the container belonging to a B/L may have different ENS-MRN (if the container have been declared separately) - LOC+41 within TDT+20 is only required, if the IFTMCS is the basis for the SumA. 	Schwanke	2011-06-28

For change requests please contact:

DAKOSY
Datenkommunikationssystem AG
- EDI Services -
Mattentwiete 2
20457 Hamburg
Telefon:040 / 37003-0
Fax: 040/37003-370
Email: info@dakosy.de



Table of Contents:

THE MANIFEST MESSAGE - IFTMCS..... 5

TECHNICAL STRUCTURE 5

MANIFEST USAGE IN THE IMP..... 6

 1.1 IMPORT INFORMATION 6

 1.2 ENQUIRIES/RESEARCH BY GOVERNMENT AGENCIES 6

 1.3 TRIGGERING THE SUMMARY DECLARATION FOR TEMPORARY STORAGE..... 6

MANIFEST DATA OUTSIDE OF IMP 7

 1.4 ICS 7

 1.5 RE-EXPORT NOTIFICATION AND EXIT SUMMARY DECLARATION 7

ADDITIONAL USAGE INFORMATION FOR THIS GUIDE..... 8

MESSAGE STRUCTURE..... 9

7 BRANCHING DIAGRAM 11

8 SEGMENT DESCRIPTION..... 26



The Manifest message - IFTMCS

This document describes the interface used to submit manifest data from a carrier to the IMP. The interface is based on the IFTMCS message used for submission of declaration data to dutch customs in the port of Rotterdam via Portbase. This interface is a subset of EDIFACT message IFTMCS, version D00.B.

Note. Although the Portbase and IMP messages are based on the same standards, some differences do exist because of different customs requirements in Germany and the Netherlands.

Technical Structure

The IFTMCS contents are structured like B/L data. Therefore, it is not possible to send a single IFTMCS containing all of the manifest data for a vessel. Instead, IFTMCS messages (“UNH-UNT-Blocks”) can be grouped together in an EDIFACT interchange (“UNB-UNZ”) as shown below:

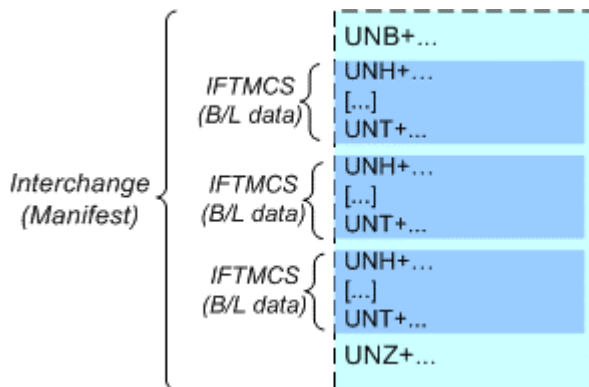


Illustration 1: Structure of an IFTMCS Interchange



Manifest usage in the IMP

1.1 Import Information

Within IMP, manifest data serves a number of purposes. One of the main uses is matching manifest data with data from Import Operation Instruction messages, resulting in a complete set of import information.

1.2 Enquiries/Research by government agencies

Customs as well as other government agencies (e.g. Water Police, Veterinary...) use manifest data as a basis for research purposes.

The legal basis for each agency's access to the data is documented (in German) in the IMP concept: (http://www.imp-hamburg.de/intern/docs_fk/IMP%20Feinkonzept%201.1.pdf)

1.3 Triggering the summary declaration for temporary storage

With regards to the introduction of ICS as well as the abolishment of the free zone in the port of Hamburg, the summary declaration of temporary storage is becoming more important.

Based on manifest data sent to the IMP, carriers might optionally trigger this summary declaration to customs.

If the IFTMCS data should not be used for sending declarations to customs, one should send an RFF segment in segment group 3 with its qualifier being set to "BGM" and element 1154 of that segment having a value of "707".

If the IFTMCS data should be used as a basis for the summary declaration of temporary storage, one of the RFF segments in segment group 3 has to have its qualifier set to "BGM" and element 1154 of that segment has to have a value of "929".



Manifest data outside of IMP

1.4 ICS

As described in section 1, there is a close link between the IFTMCS in IMP and the IFTMCS used for ICS (for DAKOSY as well as for Rotterdam's PCS "Portbase") starting from Q3/2010.

Structurally, the Interfaces for ICS and the IFTMCS as it is used for the IMP are almost identical. Due to the different requirements regarding information needed for ICS in comparison to the functionality supported by IMP, these interfaces have not been merged but remain to different messages.

1.5 Re-Export Notification and Exit Summary Declaration

Starting January 1st, 2011, the issuance of a Re-export Notification or Exit Summary Declaration becomes mandatory in certain export and transshipment scenarios.

Transshipments are especially affected by the new regulation, therefore a function for generating these declarations based on the data from the IMP IFTMCS has been added.

Provided that the data necessary for the Re-export Notification or Exit Summary Declaration is contained in the IFTMCS, IMP might generate the Re-Export notification automatically if the ETD of the vessel on which the goods were loaded is less than 14 days after the date when the goods had been discharged. For other scenarios (e.g. more than 14 days after discharge or a change of destination or consignee) IMP might trigger the generation of an Export Summary Declaration. (see illustration on following page)

The data needed for this function includes information about the on-carriage means of transport. For cases where this information is not included in the IFTMCS, some feeder operators are going to provide their load lists to IMP in order to allow for an automatic correction/addition of the missing data.

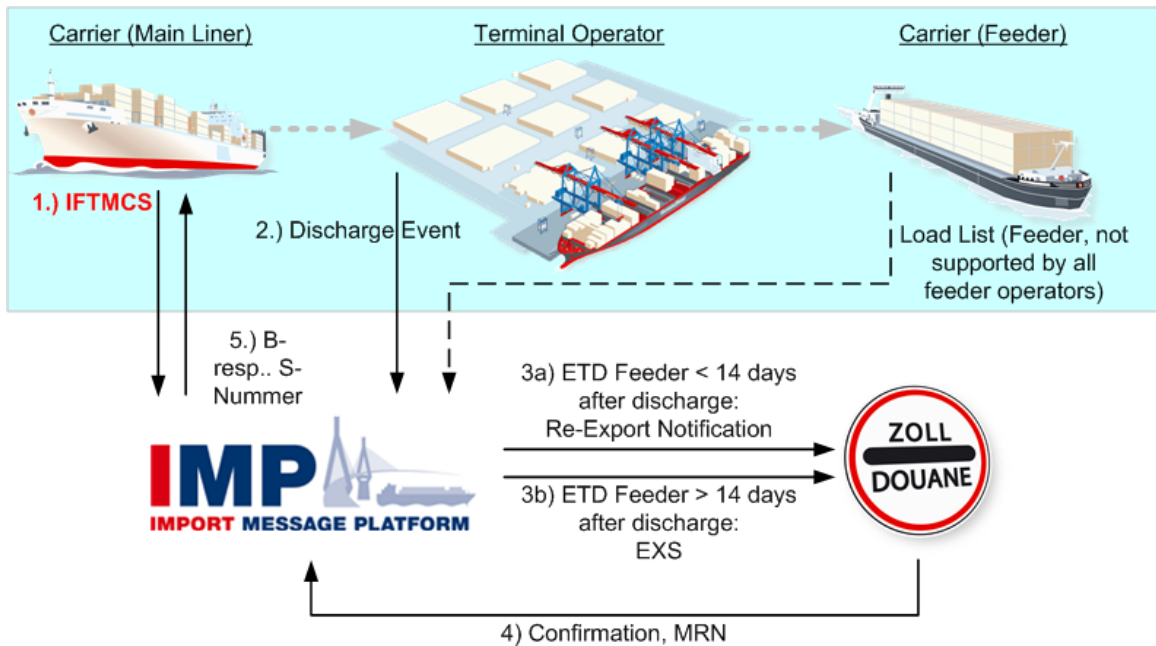


Illustration 2: Generation of Re-Export Notification or EXS based on IFTMCS

Additional usage information for this guide

As described before, data from the IFTMCS message might serve a variety of purposes. To give a more detailed description of how the data is used, the following information has been added to the segment description in this guide:

- Field (X): This field is used for function X as described here
- Beschreibung (X): Additional information regarding the usage of a field for function X

Currently, the following functions are described this way:

- X = „SumA“: Verwendung im Rahmen der Summarischen Anmeldung
- X = „ZAPP“: Verwendung der Daten für die Wiederausfuhrmitteilung
- X = „EXS“: Verwendung der Daten für die Ausgangs-SumA



Message Structure

Counte	No	Tag	St	MaxOcc	Level	Content	
	0000	1	UNA	C	1	0	Service string advice
	0000	2	UNB	M	1	0	Interchange header
	0010	3	UNH	M	1	0	Message header
	0020	4	BGM	M	1	0	Beginning of message
	0050	5	DTM	R	1	1	Message Creation Date
	0060	6	TSR	O	1	1	Transport service requirements
	0090	7	FTX	C	1	1	Information about a previous Entry Summary Declaration
	0100	8	CNT	R	1	1	Total Gross Weight
	0100	9	CNT	O	1	1	Total number of containers
	0100	10	CNT	D	1	1	Total Number of Pieces
	0100	11	CNT	O	1	1	Number of Positions
┌	0120	SG1	O	1	1	LOC	
└	0130	12	LOC	M	1	1	Place/location identification
┌	0180	SG3	R	1	1	RFF	
└	0190	13	RFF	M	1	1	B/L Number (Commercial Reference Number)
┌	0180	SG3	O	1	1	RFF	
└	0190	14	RFF	M	1	1	Forwarder's Reference
┌	0180	SG3	R	1	1	RFF	
└	0190	15	RFF	M	1	1	Transport Direction Indicator
┌	0180	SG3	O	1	1	RFF	
└	0190	16	RFF	M	1	1	Indicator for generation of summary declaration of temporary storage
┌	0180	SG3	O	1	1	RFF	
└	0190	17	RFF	M	1	1	Indicator for generation of Re-Export Notification/EXS
┌	0180	SG3	D	1	1	RFF	
└	0190	18	RFF	M	1	1	Original Message Reference
┌	0180	SG3	D	99	1	RFF	
└	0190	19	RFF	M	1	1	ID of previous customs declaration
┌	0180	SG3	D	1	1	RFF	
└	0190	20	RFF	M	1	1	Customs Reference to summary declaration
┌	0180	SG3	O	1	1	Flag "Generate Import Operation Instruction"	
└	0190	23	RFF	M	1	1	Reference
┌	0460	SG8	R	1	1	TDT-SG9-SG9-SG9-SG9-SG10-SG10	
└	0470	24	TDT	M	1	1	Vessel Information
┌	0500	SG9	R	1	2	Information about the PoD	
└	0510	25	LOC	M	1	2	Place/location identification
┌	0520	26	DTM	D	1	3	Date/time/period
└	0520	27	DTM	O	1	3	Date/time/period
┌	0500	SG9	D	1	2	Information about the PoL	
└	0510	28	LOC	M	1	2	Place/location identification
┌	0520	29	DTM	D	1	3	Date/time/period



IMP - Manifest



CounteNo	Tag	St	MaxOcc	Level	Content
0520	30	DTM	O	1	3 Date/time/period
0500		SG9	O	1	2 Information about the final port of discharge
0510	31	LOC	M	1	2 Place/location identification
0500		SG9	D	1	2 Information about the first customs office at entry
0510	34	LOC	M	1	2 Place/location identification
0520	35	DTM	R	1	3 Date/time/period
0530		SG10	R	1	2 RFF
0540	36	RFF	M	1	2 Vessel Call Sign
0530		SG10	O	1	2 RFF
0540	37	RFF	M	1	2 DAKOSY- or SIS Voyage Number
0460		SG8	O	1	1 TDT-SG9-SG10
0470	38	TDT	M	1	1 Information about On-Carriage
0500		SG9	R	1	2 LOC-DTM
0510	39	LOC	M	1	2 Place/location identification
0520	40	DTM	D	1	3 Date/time/period
0530		SG10	O	1	2 RFF
0540	41	RFF	M	1	2 DAKOSY- or SIS Voyage Number
0560		SG11	R	1	1 NAD-SG12
0570	42	NAD	M	1	1 Information about the presenter / the company lodging the declaration
0600		SG12	C	1	2 CTA-COM
0610	43	CTA	M	1	2 Contact information
0620	44	COM	M	1	3 Communication contact
0560		SG11	O	1	1 NAD-SG12
0570	46	NAD	M	1	1 Information about the carrier
0600		SG12	C	1	2 CTA-COM
0610	47	CTA	M	1	2 Contact information
0620	48	COM	C	9	3 Communication contact
0560		SG11	O	1	1 NAD
0570	50	NAD	M	1	1 Information about the shipper/consignor
0560		SG11	O	1	1 NAD
0570	52	NAD	M	1	1 Information about the consignee
0560		SG11	O	1	1 NAD
0570	54	NAD	M	1	1 Notify Party
0560		SG11	D	1	1 NAD-SG15
0570	59	NAD	M	1	1 Warehouse Keeper
0740		SG15	R	1	2 RFF
0750	61	RFF	M	1	2 Storage Location
0890		SG18	R	999	1 GID-TMP-RNG-LOC-LOC-LOC-PIA-FTX-FTX-FTX-SG20-SG22-SG23-SG27-SG30
0900	65	GID	M	1	1 Package information
0920	66	TMP	O	1	2 Temperature
0930	67	RNG	O	1	2 Range details
0950	69	LOC	D	1	2 Country of origin



IMP - Manifest



CounteNo	Tag	St	MaxOcc	Level	Content	
0950	70	LOC	D	1	2	Country of destination
0950	71	LOC	D	1	2	Place of (final) destination
0970	72	PIA	D	1	2	Commodity code
0980	73	FTX	R	1	2	Goods Description
0980	74	FTX	D	1	2	Free text
0980	75	FTX	D	1	2	Free text
1040		SG20	R	1	2	MEA
1050	77	MEA	M	1	2	Gross Weight (Goods Item Level)
1100		SG22	D	1	2	RFF
1110	78	RFF	M	1	2	MRN of ENS declaration (Goods Item level)
1130		SG23	O	9	2	PCI
1140	79	PCI	M	1	2	Marks & Numbers
1260		SG27	D	999	2	SGP-SG28
1270	80	SGP	M	1	2	Container Numbers
1290		SG28	D	1	3	MEA
1300	81	MEA	M	1	3	Weight per container
1410		SG30	O	99	2	DGS-FTX
1420	82	DGS	M	1	2	DG Information
1430	83	FTX	O	1	3	Technical name (DGS)
1550		SG35	D	99999	1	EQD-MEA-DIM-SEL-TPL-FTX-RFF-RFF-RFF-SG37
1560	84	EQD	M	1	1	Container Information
1590	85	MEA	O	2	2	Measurements
1600	86	DIM	O	5	2	Dimensions
1610	87	SEL	O	99	2	Seal IDs
1620	88	TPL	O	1	2	Transport placement
1650	89	FTX	O	1	2	Free text
1660	90	RFF	O	9	2	Reference
1660	91	RFF	O	9	2	Booking number
1660	92	RFF	D	9	2	Customs Reference to summary declaration (ATB no)
1750		SG37	O	1	2	NAD
1760	93	NAD	M	1	2	Name and address
1870	94	UNT	M	1	0	Message trailer
0000	95	UNZ	M	1	0	Interchange trailer

7 Branching Diagram



IMP - Manifest



1

Level 0

UNA	
C	1
1	
0000	

UNB	
M	1
2	
0000	

UNH	
M	1
3	
0010	

BGM	
M	1
4	
0020	

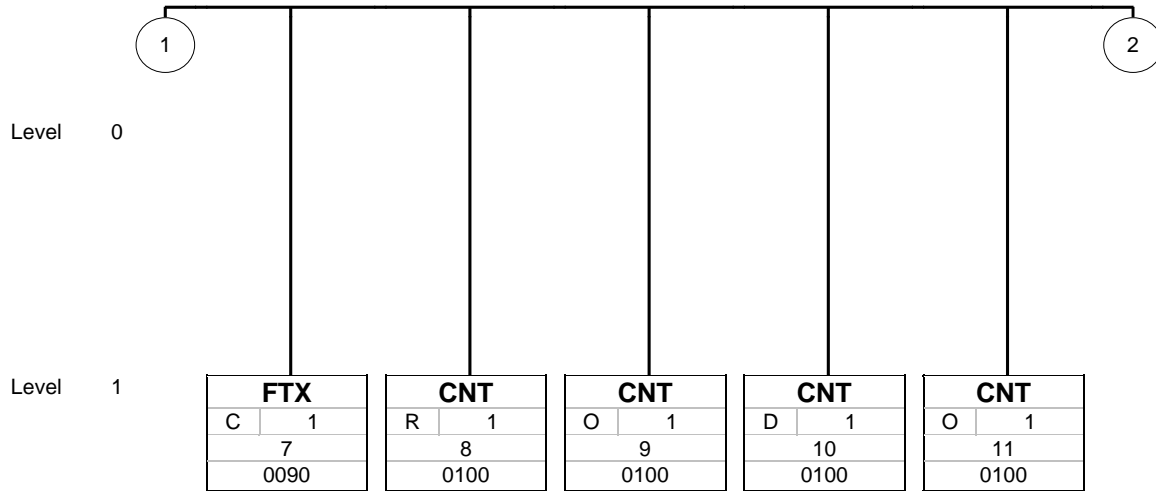
Level 1

DTM	
R	1
5	
0050	

TSR	
O	1
6	
0060	

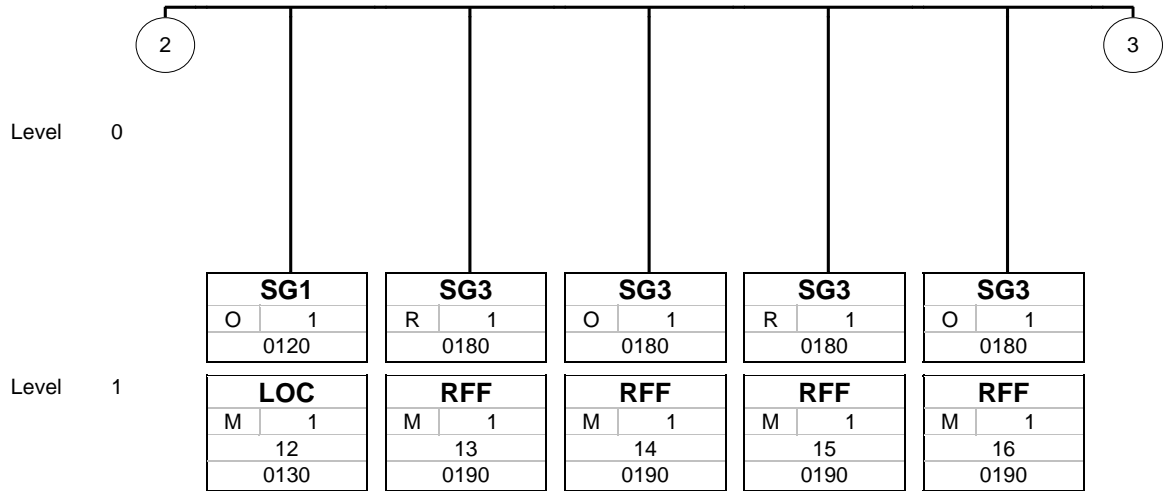


IMP - Manifest





IMP - Manifest





IMP - Manifest



Level 0

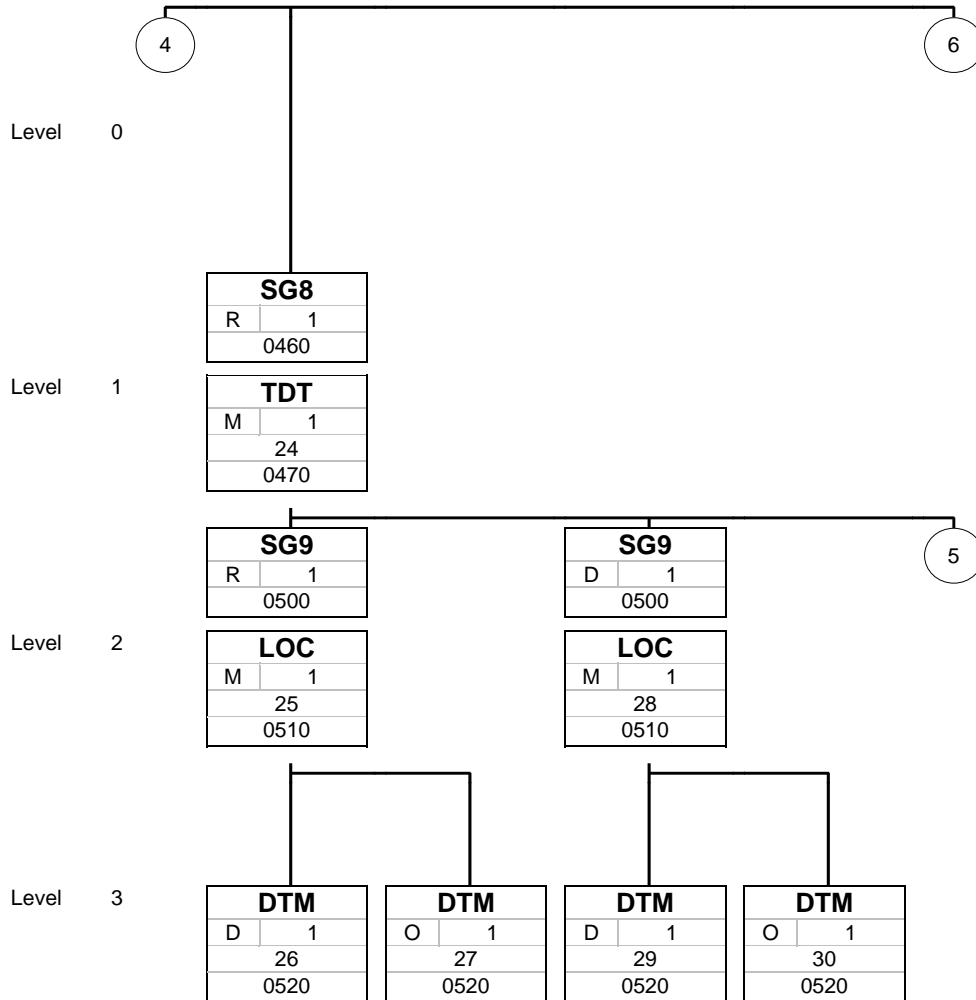
SG3		SG3		SG3		SG3		SG3	
O	1	D	1	D	99	D	1	O	1
0180		0180		0180		0180		0180	

Level 1

RFF		RFF		RFF		RFF		RFF	
M	1	M	1	M	1	M	1	M	1
17		18		19		20		23	
0190		0190		0190		0190		0190	

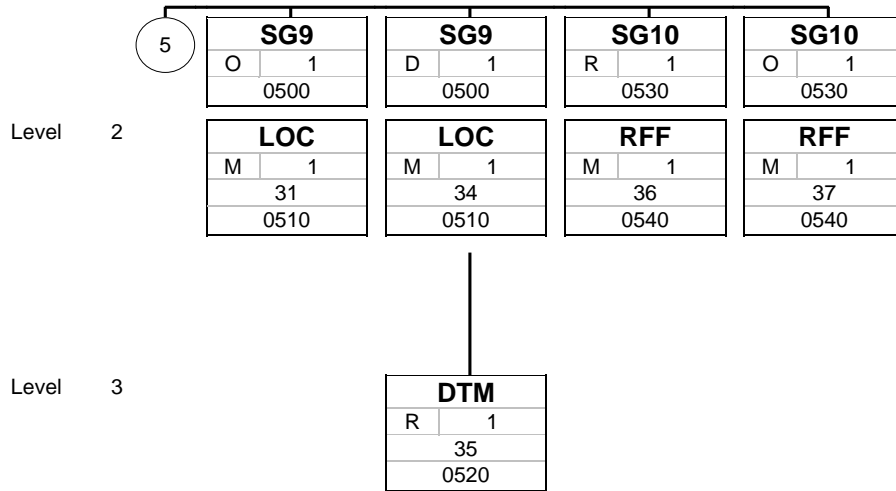


IMP - Manifest



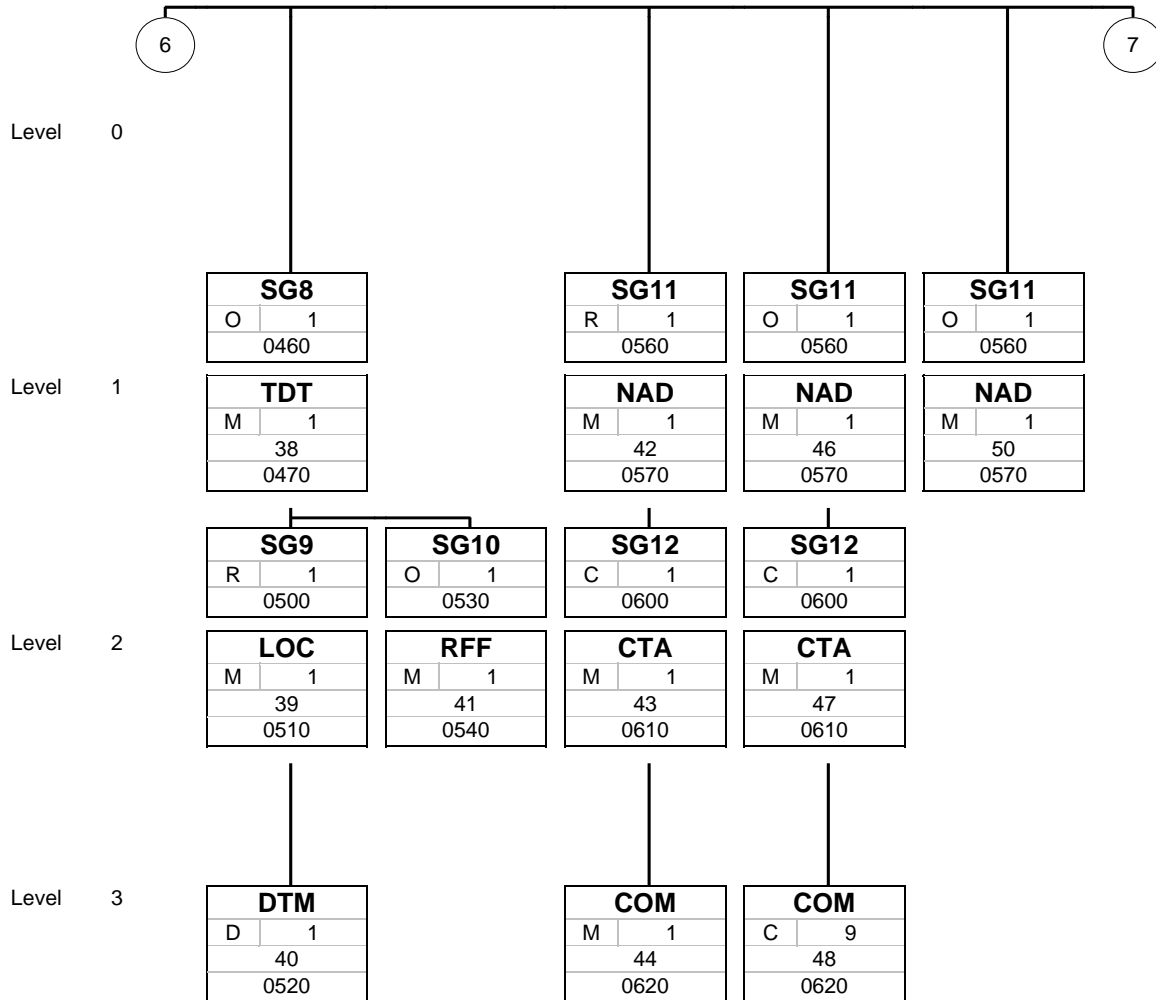


IMP - Manifest



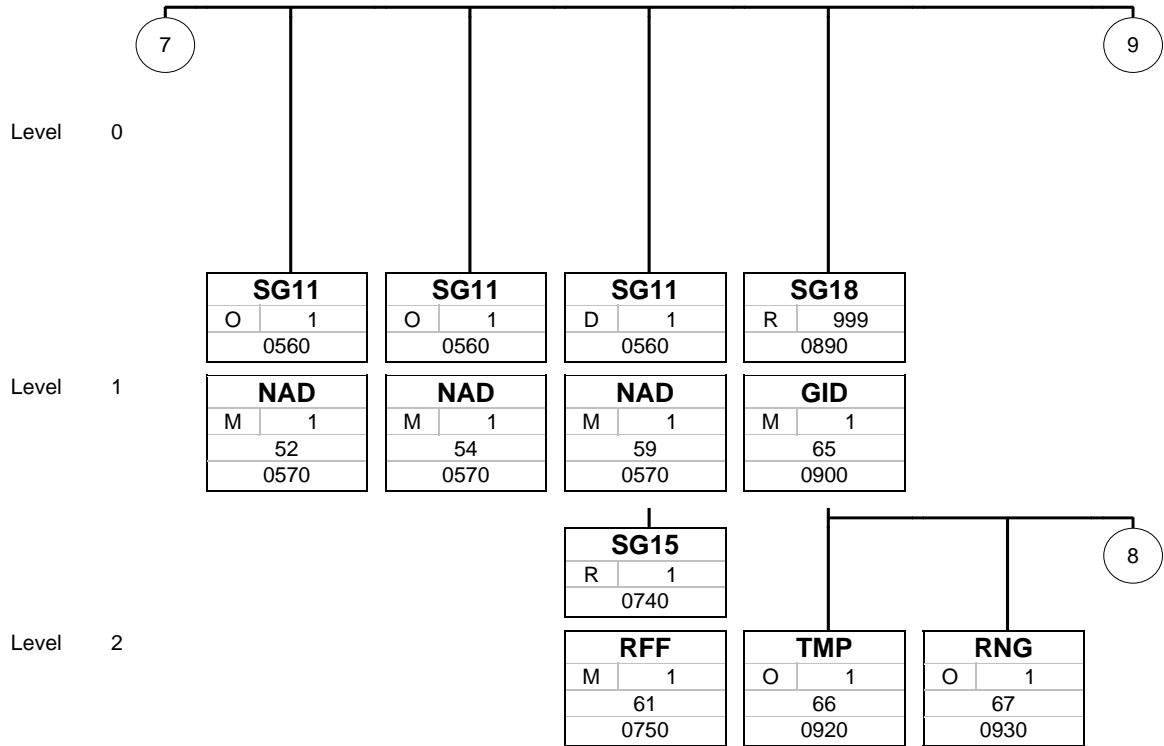


IMP - Manifest



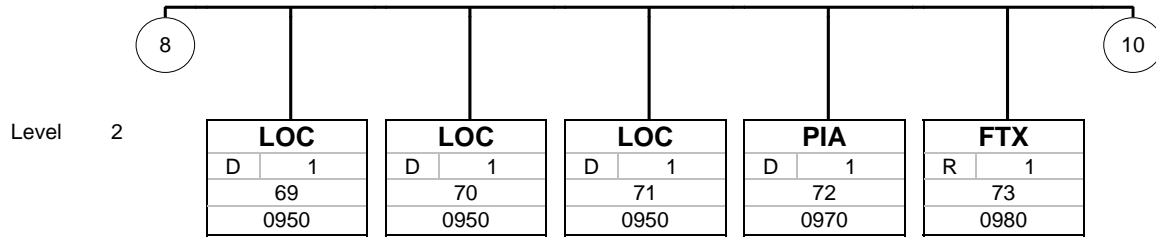


IMP - Manifest



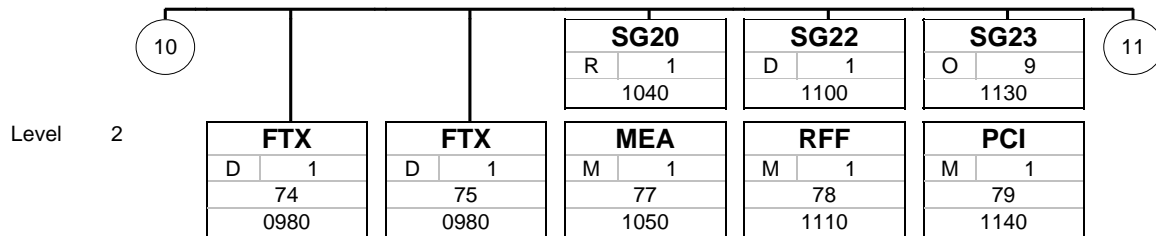


IMP - Manifest



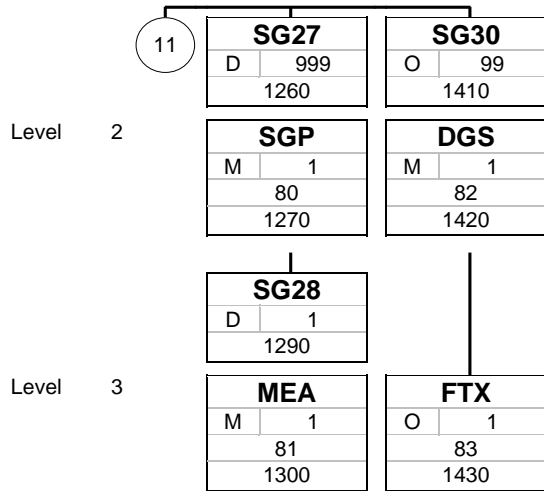


IMP - Manifest



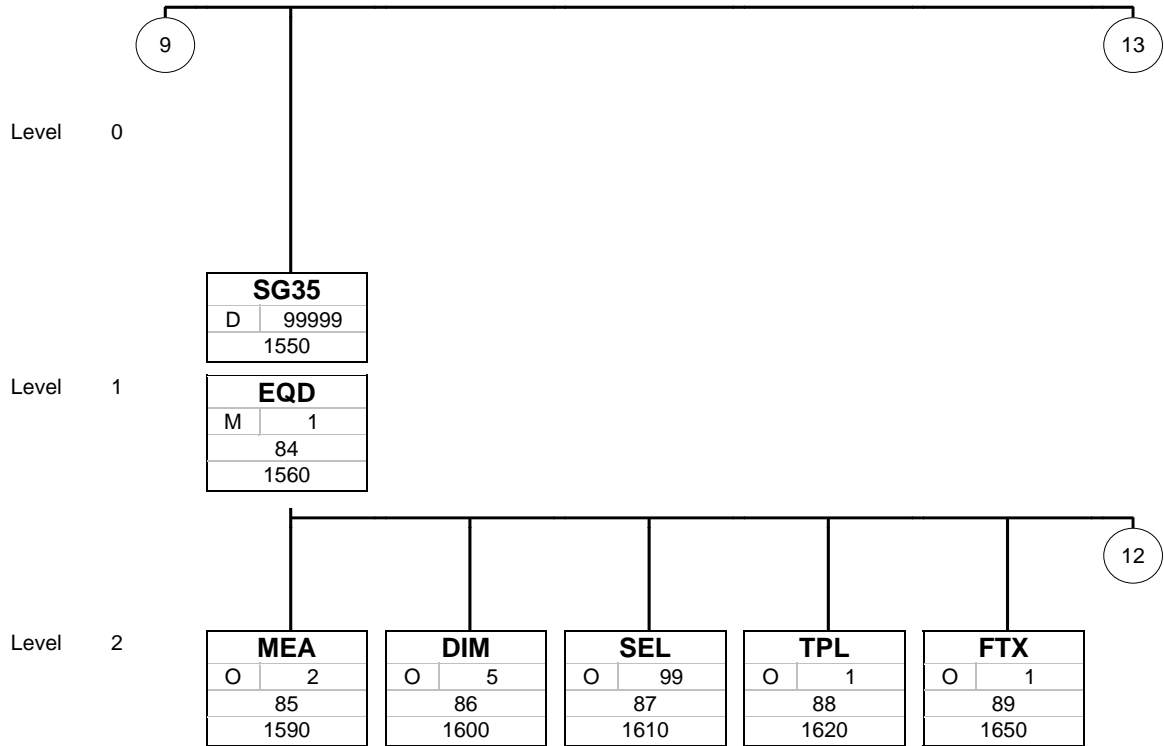


IMP - Manifest



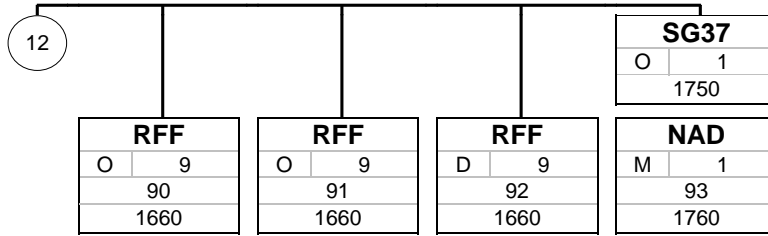


IMP - Manifest





IMP - Manifest





IMP - Manifest



13

Level 0

UNT	
M	1
94	
1870	

UNZ	
M	1
95	
0000	



IMP - Manifest



Counte	No	Name	St	MaxOcc	Ebene	Level
--------	----	------	----	--------	-------	-------

0000 2 **UNB** (1) M 1 0 Interchange header

		Standard		Implementation		
Bez	Name	St	Format	St	Format	Anwendung / Bemerkung
UNB						
S001	Syntax identifier	M		M		
0001	Syntax identifier	M	a4	M	a4	
0002	Syntax version number	M	n1	M	n1	
S002	Interchange sender	M		M		
0004	Sender identification	M	an..35	M	an..35	DAKOSY Participant Code of the sending party
0007	Partner identification code qualifier	C	an..4	N		Not used
0008	Address for reverse routing	C	an..14	N		Not used
S003	Interchange recipient	M		M		
0010	Recipient identification	M	an..35	M	an..35	Please use DAKOSY's participant code in order to address the corresponding system in Hamburg (DAKOSY) or Bremen (dbh) BIP Bremer Import Platform (dbh) IMP Import Message Platform (DAKOSY)
0007	Partner identification code qualifier	C	an..4	N		Not used
0014	Routing address	C	an..14	N		Not used
S004	Date/time of preparation	M		M		
0017	Date of preparation	M	n6	M	n6	
0019	Time of preparation	M	n4	M	n4	
0020	Interchange control reference	M	an..14	M	an..14	A unique reference number identifying this EDIFACT interchange.
S005	Recipient's reference, password	C		N		
0022	Recipient's reference/password	M	an..14	N		Not used
0025	Recipient's reference/password qualifier	C	an2	N		Not used
0026	Application reference	C	an..14	N		Not used
0029	Processing priority code	C	a1	N		Not used
0031	Acknowledgement request	C	n1	N		Not used
0032	Communications agreement ID	C	an..35	N		Not used
0035	Test indicator	C	n1	C	n1	Test indicator. If this field is submitted and has a value '1', the message will be treated as a test message. 1 Interchange is a test

Remark:

Example:

UNB+UNOC:3+CARR+IMP+100122:1707+20100123100000+++++1'



IMP - Manifest



Counte	No	Name	St	MaxOcc	Ebene	Level
--------	----	------	----	--------	-------	-------

0010 3 **UNH** (1) M 1 0 Message header

Standard			Implementation	
Bez	Name	St Format	St Format	Anwendung / Bemerkung
UNH				
0062	Message reference number	M an..14	M an..14	Unique technical reference identifying this EDIFACT message
S009	Message identifier	M	M	
0065	Message type	M an..6	M an..6	IFTMCS Instruction contract status message
0052	Message version number	M an..3	M an..3	D Draft version/UN/EDIFACT Directory
0054	Message release number	M an..3	M an..3	00B Release 2000 - B
0051	Controlling agency	M an..2	M an..2	UN UN/CEFACT
0057	Association assigned code	C an..6	R an..6	IMP10 Import Message Platform
0068	Common access reference	C an..35	N	Not used
S010	Status of the transfer	C	N	
0070	Sequence of transfers	M n..2	N	Not used
0073	First and last transfer	C a1	N	Not used

Remark:**Example:**

UNH+20100122171055+IFTMCS:D:00B:UN:IMP10'



IMP - Manifest



Counte	No	Name	St	MaxOcc	Ebene	Level
--------	----	------	----	--------	-------	-------

0020 4 **BGM** (1) M 1 0 Beginning of message

		Standard		Implementation		
Bez	Name	St	Format	St	Format	Anwendung / Bemerkung
BGM						
C002	Document/message name	C		R		
1001	Document name code	C	an..3	R	an..3	707 Bill of lading copy
1131	Code list identification code	C	an..17	N		Not used
3055	Code list responsible agency code	C	an..3	N		Not used
1000	Document name	C	an..35	N		Not used
C106	Document/message identification	C		R		
1004	Document identifier	C	an..35	R	an..35	
1056	Version identifier	C	an..9	N		Not used
1060	Revision identifier	C	an..6	N		Not used
1225	Message function code	C	an..3	R	an..3	9 Original 5 Replace / Update
4343	Response type code	C	an..3	N		Not used

Remark:

Example:

BGM+707+201001221234+9'



IMP - Manifest



Counte	No	Name	St	MaxOcc	Ebene	Level
--------	----	------	----	--------	-------	-------

0050 5 **DTM** (1) R 1 1 Message Creation Date

			Standard	Implementation		
Bez	Name	St	Format	St	Format	Anwendung / Bemerkung
DTM						
C507	Date/time/period	M		M		
2005	Date or time or period function code qualifier	M	an..3	M	an..3	137 Document/message date/time
2380	Date or time or period value	C	an..35	R	an..35	Message creation date Field (EXS): Declaration Date
2379	Date or time or period format code	C	an..3	R	an..3	203 CCYYMMDDHHMM

Remark:

Example:

DTM+137:201003051200:203'



IMP - Manifest



Counte	No	Name	St	MaxOcc	Ebene	Level
--------	----	------	----	--------	-------	-------

0060	6	TSR (1)	O	1	1	Transport service requirements
------	---	------------------	---	---	---	--------------------------------

		Standard		Implementation		
Bez	Name	St	Format	St	Format	Anwendung / Bemerkung
TSR						
C536	Contract and carriage condition	C		R		
4065	Contract and carriage condition code	M	an..3	M	an..3	27 Door-to-door 28 Door-to-pier 29 Pier-to-door 30 Pier-to-pier
1131	Code list identification code	C	an..17	N		Not used
3055	Code list responsible agency code	C	an..3	N		Not used
C233	Service	C		R		
7273	Service requirement code	M	an..3	M	an..3	2 Full loads 3 Less than full loads
1131	Code list identification code	C	an..17	N		Not used
3055	Code list responsible agency code	C	an..3	N		Not used
7273	Service requirement code	C	an..3	N		Not used
1131	Code list identification code	C	an..17	N		Not used
3055	Code list responsible agency code	C	an..3	N		Not used
C537	Transport priority	C		N		
4219	Transport service priority code	M	an..3	N		Not used
1131	Code list identification code	C	an..17	N		Not used
3055	Code list responsible agency code	C	an..3	N		Not used
C703	Nature of cargo	C		N		
7085	Cargo type classification code	M	an..3	N		Not used
1131	Code list identification code	C	an..17	N		Not used
3055	Code list responsible agency code	C	an..3	N		Not used

Remark:

Example:

TSR+27+2'



IMP - Manifest



Counte	No	Name	St	MaxOcc	Ebene	Level
--------	----	------	----	--------	-------	-------

0090 7 **FTX** (1) C 1 1 Information about a previous Entry Summary Declaration

Remark: This segment will be removed in later versions. The usage of RFF+AEI is recommended instead

Standard			Implementation	
Bez	Name	St Format	St Format	Anwendung / Bemerkung
FTX				
4451	Text subject code qualifier	M an..3	M an..3	ENS
4453	Free text function code	C an..3	N	Not used
C107	Text reference	C	R	
4441	Free text value code	M an..17	M an..17	ENS ENS data has been submitted using a ENS declaration (provide MRN in first element 4440) SN ENS data has been submitted using a shipment notification (provide MRN in first element 4440) NEX ENS data has not been submitted, since it was not required OTH ENS data has been submitted in a non-standard way (due to a system outage; provide MRN in first element 4440, further description in futher elements 4440)
1131	Code list identification code	C an..17	N	Not used
3055	Code list responsible agency code	C an..3	N	Not used
C108	Text literal	C	D	
4440	Free text value	M an..512	M an..18	Field (ZAPP): Customs Reference Remark (ZAPP): See code description for data element 4441 Field (SumA): MRN from ENS Declaration (Previous Customs Reference)
4440	Free text value	C an..512	D an..256	Field (ZAPP): Description of special procedure Remark (ZAPP): See code description for data element 4441
4440	Free text value	C an..512	N	Not used
4440	Free text value	C an..512	N	Not used
4440	Free text value	C an..512	N	Not used
3453	Language name code	C an..3	N	Not used
4447	Free text format code	C an..3	N	Not used

Remark:

Example:

FTX+ENS++ENS+10DE321012345678I8:X'



IMP - Manifest



Counte	No	Name	St	MaxOcc	Ebene	Level
--------	----	------	----	--------	-------	-------

0100 8 **CNT** (1) R 1 1 **Total Gross Weight**

		Standard		Implementation		
Bez	Name	St	Format	St	Format	Anwendung / Bemerkung
CNT						
C270	Control	M		M		
6069	Control total type code qualifier	M	an..3	M	an..3	7 Total gross weight
6066	Control total value	M	n..18	M	n..14	Total Gross Weight of this shipment (14,3)
6411	Measurement unit code	C	an..3	R	an..3	KGM kilogram

Remark:

Example:

CNT+7:10259.220:KGM'



IMP - Manifest



Counte	No	Name	St	MaxOcc	Ebene	Level
--------	----	------	----	--------	-------	-------

0100	9	CNT (2)	O	1	1	Total number of containers
------	---	------------------	---	---	---	----------------------------

		Standard		Implementation		
Bez	Name	St	Format	St	Format	Anwendung / Bemerkung
CNT						
C270	Control	M		M		
6069	Control total type code qualifier	M	an..3	M	an..3	16 Total number of equipment
6066	Control total value	M	n..18	M	n..18	Field (SumA): Total no. of containers Remark (SumA): Max. 4 digits, optional field
6411	Measurement unit code	C	an..3	N		Total no. of containers Not used

Remark:

Example:

CNT+16:9'



IMP - Manifest



Counte	No	Name	St	MaxOcc	Ebene	Level
--------	----	------	----	--------	-------	-------

0100 10 **CNT** (3) D 1 1 **Total Number of Pieces**

Remark: Mandatory when using the IFTMCS for Re-Export Notification or EXS (RFF+CUS = '1')

Standard			Implementation	
Bez	Name	St Format	St Format	Anwendung / Bemerkung
CNT				
C270	Control	M	M	
6069	Control total type code qualifier	M an..3	M an..3	11 Total number of packages
6066	Control total value	M n..18	M n..18	Total count of pieces in this shipment
				Field (EXS): Total Number of Packages
6411	Measurement unit code	C an..3	N	Not used

Remark:

Example:

CNT+11:15'



IMP - Manifest



Counte	No	Name	St	MaxOcc	Ebene	Level
--------	----	------	----	--------	-------	-------

0100 11 **CNT** (4) O 1 1 **Number of Positions**

Remark: Mandatory when using the IFTMCS for Re-Export Notification or EXS (RFF+CUS = '1')

Standard			Implementation	
Bez	Name	St Format	St Format	Anwendung / Bemerkung
CNT				
C270	Control	M	M	
6069	Control total type code qualifier	M an..3	M an..3	2 Number of line items in message
6066	Control total value	M n..18	M n..18	Each occurrence of segment group GID counts as a position Field (ZAPP): Number of Positions Field (EXS): Number of Positions
6411	Measurement unit code	C an..3	N	Not used

Remark:

Example:

CNT+2:9'



IMP - Manifest



Counte	No	Name	St	MaxOcc	Ebene	Level
0120		SG1 (1)	O	1	1	LOC
0130	12	LOC (1)	M	1	1	Place/location identification

Standard			Implementation	
Bez	Name	St Format	St Format	Anwendung / Bemerkung
LOC				
3227	Location function code qualifier	M an..3	M an..3	91 Place of document issue
C517	Location identification	C	R	
3225	Location name code	C an..25	D an..25	Either location name code or or location name can be specified
1131	Code list identification code	C an..17	N	Not used
3055	Code list responsible agency code	C an..3	N	Not used
3224	Location name	C an..256	D an..256	
C519	Related location one identification	C	N	
3223	First related location name code	C an..25	N	Not used
1131	Code list identification code	C an..17	N	Not used
3055	Code list responsible agency code	C an..3	N	Not used
3222	First related location name	C an..70	N	Not used
C553	Related location two identification	C	N	
3233	Second related location name code	C an..25	N	Not used
1131	Code list identification code	C an..17	N	Not used
3055	Code list responsible agency code	C an..3	N	Not used
3232	Second related location name	C an..70	N	Not used
5479	Relation code	C an..3	N	Not used

Remark:

Example:

LOC+91+:::HONG KONG'



IMP - Manifest



Counte	No	Name	St	MaxOcc	Ebene	Level
--------	----	------	----	--------	-------	-------

0180		SG3 (1)	R	1	1	RFF
------	--	------------------	---	---	---	-----

0190	13	RFF (1)	M	1	1	B/L Number (Commercial Reference Number)
------	----	------------------	---	---	---	---

Standard			Implementation	
Bez	Name	St Format	St Format	Anwendung / Bemerkung
RFF				
C506	Reference	M	M	
1153	Reference code qualifier	M an..3	M an..3	BM Bill of lading number
1154	Reference identifier	C an..70	R an..17	Field (SumA): Reference Number B/L Number Field (ZAPP): Forwarder's Reference Field (EXS): Commercial Reference Number AND Local Reference Number
1156	Document line identifier	C an..6	N	Not used
4000	Reference version identifier	C an..35	N	Not used
1060	Revision identifier	C an..6	N	Not used

Remark:**Example:**

RFF+BM:HJSC1234740'



IMP - Manifest



Counte	No	Name	St	MaxOcc	Ebene	Level
0180		SG3 (2)	O	1	1	RFF
0190	14	RFF (1)	M	1	1	Forwarder's Reference

Standard			Implementation	
Bez	Name	St Format	St Format	Anwendung / Bemerkung
RFF				
C506	Reference	M	M	
1153	Reference code qualifier	M an..3	M an..3	SRN Shipment reference number
1154	Reference identifier	C an..70	R an..35	Field (ZAPP): Forwarder's Reference Remark (ZAPP): If no forwarder's reference is provided in RFF+SRN, the B/L number (RFF+BM) will be used for the forwarder's reference instead
1156	Document line identifier	C an..6	N	Not used
4000	Reference version identifier	C an..35	N	Not used
1060	Revision identifier	C an..6	N	Not used

Remark:

Example:

RFF+SRN:DZ121005404'



IMP - Manifest



Counte	No	Name	St	MaxOcc	Ebene	Level
--------	----	------	----	--------	-------	-------

0180		SG3 (3)	R	1	1	RFF
------	--	------------------	---	---	---	-----

0190	15	RFF (1)	M	1	1	Transport Direction Indicator
------	----	------------------	---	---	---	-------------------------------

Standard			Implementation	
Bez	Name	St Format	St Format	Anwendung / Bemerkung
RFF				
C506	Reference	M	M	
1153	Reference code qualifier	M an..3	M an..3	DIR Transport Direction
1154	Reference identifier	C an..70	R an..70	I Import T Transit E Export TS Transshipment (Import) TSE Transshipment (Export) This information is needed a) as an indicator for the usage of IFTMCS data with regards to IMP and/or ZAPP; b) for statistical purposes Please note, that the terms listed above are defined in this context as follows: * Transit: Goods that remain on board. * Transshipment (Import): Goods, that are unloaded from one vessel and loaded onto another, final destination of the cargo is within the EU * Transshipment (Export): Goods, that are unloaded from one vessel and loaded onto another, final destination of the cargo is outside of the EU * Import: Goods, that are unloaded from a vessel. Overland transportation e.g. to Russia is understood as import, too. * Export: Goods which are loaded onto a vessel for export after they were transported to the seaport from the hinterland
1156	Document line identifier	C an..6	N	Not used
4000	Reference version identifier	C an..35	N	Not used
1060	Revision identifier	C an..6	N	Not used

Remark:

Example:

RFF+DIR:TS'



IMP - Manifest



Counte	No	Name	St	MaxOcc	Ebene	Level
0180		SG3 (4)	O	1	1	RFF
0190	16	RFF (1)	M	1	1	Indicator for generation of summary declaration of temporary storage

Remark: Segment RFF+BGM might be used to specify whether the summary declaration of temporary storage ("SumA") should be triggered by the IMP itself. If the segment is not provided, IMP will not trigger the SumA.

Standard			Implementation	
Bez	Name	St Format	St Format	Anwendung / Bemerkung
RFF				
C506	Reference	M	M	
1153	Reference code qualifier	M an..3	M an..3	BGM
1154	Reference identifier	C an..70	R an..70	Code indicating the specific usage of the manifest information. Code 929 indicates, that the IMP should trigger the summary declaration of temporary storage ("SumA"). Code 707 indicates that the SumA will be generated/triggered by another party (see description of following element). Code 929 is not allowed for transit or export shipments (see RFF+DIR). 929 Generate SumA 707 Use for IMP only 401 BHT Transshipment Order (only for PoD Bremen/Bremerhaven) 355 EXS (only for PoD Bremen/Bremerhaven)
1156	Document line identifier	C an..6	N	Not used
4000	Reference version identifier	C an..35	N	Not used
1060	Revision identifier	C an..6	N	Not used

Remark:

Example:

RFF+BGM: 707 '

RFF+BGM: 929 '



IMP - Manifest



Counte	No	Name	St	MaxOcc	Ebene	Level
--------	----	------	----	--------	-------	-------

0180		SG3 (5)	O	1	1	RFF
------	--	------------------	---	---	---	-----

0190	17	RFF (1)	M	1	1	Indicator for generation of Re-Export Notification/EXS
------	----	------------------	---	---	---	---

Remark: Segment RFF+CUS might be used to specify whether a re-export notification or EXS should be triggered automatically. If the segment is not provided, no message will be generated.

Standard			Implementation	
Bez	Name	St Format	St Format	Anwendung / Bemerkung
RFF				
C506	Reference	M	M	
1153	Reference code qualifier	M an..3	M an..3	CUS Customs Message Indicator
1154	Reference identifier	C an..70	R an..70	1 Generate Re-Export Notification/EXS 0 Do not generate Re-Export Notification/EXS Code indicating whether to automatically generate a Re-Export Notification resp. Exit Summary Declaration to customs or not. Value '1' is allowed only in case of Transshipments or Export (see RFF+DIR). If segment RFF+CUS isn't present, value '0' will be assumed.
1156	Document line identifier	C an..6	N	Not used
4000	Reference version identifier	C an..35	N	Not used
1060	Revision identifier	C an..6	N	Not used

Remark:

Example:

RFF+CUS:0'



IMP - Manifest



Counte	No	Name	St	MaxOcc	Ebene	Level
0180		SG3 (6)	D	1	1	RFF
0190	18	RFF (1)	M	1	1	Original Message Reference

Standard			Implementation	
Bez	Name	St Format	St Format	Anwendung / Bemerkung
RFF				
C506	Reference	M	M	
1153	Reference code qualifier	M an..3	M an..3	ACW Reference number to previous message
1154	Reference identifier	C an..70	R an..35	When sending updates, this field is meant to contain the local reference number (BGM Element 1004) of the original message
1156	Document line identifier	C an..6	N	Not used
4000	Reference version identifier	C an..35	N	Not used
1060	Revision identifier	C an..6	N	Not used

Remark:**Example:**

RFF+ACW:123456'



IMP - Manifest



Counte	No	Name	St	MaxOcc	Ebene	Level
--------	----	------	----	--------	-------	-------

0180 **SG3 (7)** D 99 1 RFF

0190 19 **RFF (1)** M 1 1 ID of previous customs declaration

Standard			Implementation	
Bez	Name	St Format	St Format	Anwendung / Bemerkung
RFF				
C506	Reference	M	M	
1153	Reference code qualifier	M an..3	M an..3	MRN Mailing reference number AEI Registration number of previous Customs declaration In order to harmonise the interface, the qualifier AEI has been introduced. AEI and MRN may be used synonymously. Since the qualifier "MRN" will be removed in later versions, the usage of "AEI" is recommended.
1154	Reference identifier	C an..70	R an18	ID of previous customs declaration (MRN)
1156	Document line identifier	C an..6	N	Element not used on B/L level. Not used
4000	Reference version identifier	C an..35	D an..6	ESUMA MRN of an Entry summary declaration OESUMA If reference is an export MRN, it has to marked with OESUMA Previous document type Mandatory, if reference is an export MRN.
1060	Revision identifier	C an..6	N	Not used

Remark:

Mandatory for third country goods, where an ENS has been lodged. If goods have been moved under the Community transit procedure, the corresponding MRN has to be entered.

Mandatory for third country goods, for which an ENS has been lodged. If goods have been moved under the Community transit procedure, the corresponding MRN has to be entered

If no MRN is available, RFF+AEI must not be sent neither on header nor on GID level.

Example: 1 Segments on Header- and GID level

SG3 (B/L level) RFF+AEI:10DE321012345678I8'

SG22 (GID) GID+1...
 RFF+AEI::001'

 GID+2..
 RFF+AEI::002'

Example 2: Segments only on GID level (recommended)

SG3 (B/L level) -

SG22 (GID) GID+1...
 RFF+AEI:10DE321012345678I8:001'

 GID+2..
 RFF+AEI:10DE321012345678I8:003'

Example:

RFF+AEI:10DE321012345678I8::ESUMA'



IMP - Manifest



Counte	No	Name	St	MaxOcc	Ebene	Level
--------	----	------	----	--------	-------	-------

0180		SG3 (8)	D	1	1	RFF
------	--	------------------	---	---	---	-----

0190	20	RFF (1)	M	1	1	Customs Reference to summary declaration
------	----	------------------	---	---	---	--

Standard			Implementation	
Bez	Name	St Format	St Format	Anwendung / Bemerkung
RFF				
C506	Reference	M	M	
1153	Reference code qualifier	M an..3	M an..3	XC Cargo control number
1154	Reference identifier	C an..70	R an..21	Field (SumA): ID Reg-No ATLAS (SumA) Remark (SumA): ATB Number. Mandatory when updating or confirming an existing preliminary/partially confirmed SumA. Field (ZAPP): Registration number of previous summary declaration of temporary storage Remark (ZAPP): If no registration number is provided, this will be interpreted as "A summary declaration of temporary storage was not required"
1156	Document line identifier	C an..6	N	Not used
4000	Reference version identifier	C an..35	N	Not used
1060	Revision identifier	C an..6	N	Not used

Remark:

Example:

RFF+XC:ATB120005410540540'



IMP - Manifest



Counte	No	Name	St	MaxOcc	Ebene	Level
--------	----	------	----	--------	-------	-------

0180		SG3 (1) 1	O	1	1	Flag "Generate Import Operation Instruction"
------	--	-----------------------	---	---	---	--

0190	21	RFF (1)	M	1	1	Reference
------	----	------------------	---	---	---	-----------

Standard			Implementation	
Bez	Name	St Format	St Format	Anwendung / Bemerkung
RFF				
C506	Reference	M	M	
1153	Reference code qualifier	M an..3	M an..3	Generate Import Operation Instruction - If element 1154 of RFF+IOI is set to 1, IMP shall generate an Import Operation Instruction on behalf of the Carrier (i.e. the Carrier will act in the role of the Forwarder for this IOI).
1154	Reference identifier	C an..70	C an..70	0 Don't generate Import Operation Instruction 1 Generate Import Operation Instruction
1156	Document line identifier	C an..6	N	Not used
4000	Reference version identifier	C an..35	N	Not used
1060	Revision identifier	C an..6	N	Not used

Remark:

Example:

RFF+IOI:1'



IMP - Manifest



Counte	No	Name	St	MaxOcc	Ebene	Level
0460		SG8 (1)	R	1	1	TDT-SG9-SG10
0470	22	TDT (1)	M	1	1	Vessel Information

Standard			Implementation	
Bez	Name	St Format	St Format	Anwendung / Bemerkung
TDT				
8051	Transport stage code qualifier	M an..3	M an..3	20 Main-carriage transport
8028	Means of transport journey identifier	C an..17	R an..17	Vessel Voyage Number
C220	Mode of transport	C	C	
8067	Transport mode name code	C an..3	R an..3	1 Maritime transport
8066	Transport mode name	C an..17	N	Field (SumA): Mode of transport at border Not used
C228	Transport means	C	C	
8179	Transport means description code	C an..8	R an..8	11 Ship
8178	Transport means description	C an..17	N	Field (SumA): Transport Means Not used
C040	Carrier	C	M	
3127	Carrier identifier	C an..17	R an..17	Carrier's SCAC Code
1131	Code list identification code	C an..17	N	Not used
3055	Code list responsible agency code	C an..3	N	Not used
3128	Carrier name	C an..35	O an..35	Carrier's Name
8101	Transit direction indicator code	C an..3	N	Not used
C401	Excess transportation information	C	N	
8457	Excess transportation reason code	M an..3	M an..3	
8459	Excess transportation responsibility code	M an..3	N	Not used
7130	Customer shipment authorisation identifier	C an..17	N	Not used
C222	Transport identification	C	M	
8213	Transport means identification name identifier	C an..9	R an..9	IMO Number Field (SumA): Conveyance Reference
1131	Code list identification code	C an..17	N	Not used
3055	Code list responsible agency code	C an..3	N	Not used
8212	Transport means identification name	C an..35	R an..35	Vessel Name
8453	Transport means nationality code	C an..3	R an..3	Nationality of the vessel
8281	Transport means ownership indicator code	C an..3	N	Not used

Remark:

Example:

TDT+20+ABCD0021W+1+11+CARR:::CARRIER+++9999999:::VESSEL NAME:DE'



IMP - Manifest



Counte	No	Name	St	MaxOcc	Ebene	Level
	0460	SG8 (1)	R	1	1	TDT-SG9-SG10
	0500	SG9 (1)	R	1	2	Information about the PoD
	0510	LOC (1)	M	1	2	Place/location identification

Standard			Implementation	
Bez	Name	St Format	St Format	Anwendung / Bemerkung
LOC				
3227	Location function code qualifier	M an..3	M an..3	11 Place/port of discharge
C517	Location identification	C	M	
3225	Location name code	C an..25	R a..5	Location code of port of discharge
1131	Code list identification code	C an..17	N	Not used
3055	Code list responsible agency code	C an..3	N	Not used
3224	Location name	C an..256	R an..35	Name of port of discharge
C519	Related location one identification	C	D	
3223	First related location name code	C an..25	D an..25	Code of berth at discharge location. If the IFTMCS is used for the summary declaration of temporary storage the code of the discharge berth must be sent here. When using the IFTMCS as an Export Manifest this field is optional. The complete list of DAKOSY terminal codes for the use in IMP is available under: http://www.dakosy-direct.de , e. g.: 081 Buss Hansa Terminal / Schuppen 81 BK9 HHLA Containerterminal Burchardkai CTA HHLA Containerterminal Altenwerder EUR Eurgate Containerterminal Hamburg OSW UNIKAI SWT C. Steinweg Südwest Terminal TCT HHLA Containerterminal Tollerort If the receiving system in UNB is BIP, please use code from following list: http://kis.dbh.de/index.php?id=590
1131	Code list identification code	C an..17	N	Not used
3055	Code list responsible agency code	C an..3	N	Not used
3222	First related location name	C an..70	O an..35	Name of the berth at the port of discharge
C553	Related location two identification	C	C	
3233	Second related location name code	C an..25	O a2	
1131	Code list identification code	C an..17	N	Not used
3055	Code list responsible agency code	C an..3	N	Not used
3232	Second related location name	C an..70	N	Not used
5479	Relation code	C an..3	N	Not used

Remark:**Example:**

LOC+11+DEHAM:::HAMBURG+CTA:::ALTENWERDER+DE'



IMP - Manifest



Counte	No	Name	St	MaxOcc	Ebene	Level
0460		SG8 (1)	R	1	1	TDT-SG9-SG10
0500		SG9 (1)	R	1	2	Information about the PoD
0520	24	DTM (1)	D	1	3	Date/time/period

Remark: This segment becomes mandatory when the IFTMCS is used for generating a summary declaration of temporary storage (SumA)

Standard			Implementation	
Bez	Name	St Format	St Format	Anwendung / Bemerkung
DTM				
C507	Date/time/period	M	M	
2005	Date or time or period function code qualifier	M an..3	M an..3	132 Arrival date/time, estimated
2380	Date or time or period value	C an..35	R an..35	Field (SumA): Date of presentation. ETA Port of Discharge
2379	Date or time or period format code	C an..3	R an..3	102 CCYYMMDD

Remark:

Example:

DTM+132:20100125:102'



IMP - Manifest



Counte	No	Name	St	MaxOcc	Ebene	Level
0460		SG8 (1)	R	1	1	TDT-SG9-SG10
0500		SG9 (1)	R	1	2	Information about the PoD
0520	25	DTM (2)	O	1	3	Date/time/period

Standard			Implementation	
Bez	Name	St Format	St Format	Anwendung / Bemerkung
DTM				
C507	Date/time/period	M	M	
2005	Date or time or period function code qualifier	M an..3	M an..3	133 Departure date/time, estimated
2380	Date or time or period value	C an..35	R an..35	
2379	Date or time or period format code	C an..3	R an..3	102 CCYYMMDD

Remark:

Example:

DTM+133:20100127:102'



IMP - Manifest



Counte	No	Name	St	MaxOcc	Ebene	Level
	0460	SG8 (1)	R	1	1	TDT-SG9-SG10
	0500	SG9 (2)	D	1	2	Information about the PoL
	0510	LOC (1)	M	1	2	Place/location identification

Standard			Implementation	
Bez	Name	St Format	St Format	Anwendung / Bemerkung
LOC				
3227	Location function code qualifier	M an..3	M an..3	9 Place/port of loading
C517	Location identification	C	M	
3225	Location name code	C an..25	R a..5	
1131	Code list identification code	C an..17	N	Not used
3055	Code list responsible agency code	C an..3	N	Not used
3224	Location name	C an..256	O an..35	
C519	Related location one identification	C	D	
3223	First related location name code	C an..25	D an..25	Code of berth at loading location. If the IFTMCS is used as an export manifest within IMP (RFF+DIR = 'TSE' or 'E'), the loading berth must be given here. The complete list of DAKOSY terminal codes for the use in IMP is available under: http://www.dakosy-direct.de , e. g.: 081 Buss Hansa Terminal / Schuppen 81 BK9 HHLA Containerterminal Burchardkai CTA HHLA Containerterminal Altenwerder EUR Eurgate Containerterminal Hamburg OSW UNIKAI SWT C. Steinweg Südwest Terminal TCT HHLA Containerterminal Tollerort If the receiving system in UNB is BIP, please use code from following list: http://kis.dbh.de/index.php?id=590
1131	Code list identification code	C an..17	N	Not used
3055	Code list responsible agency code	C an..3	N	Not used
3222	First related location name	C an..70	O an..35	Name of the berth at the port of loading
C553	Related location two identification	C	C	
3233	Second related location name code	C an..25	D a2	Field (SumA): Means of transport (Overland) and/or country of origin/of export
1131	Code list identification code	C an..17	N	Not used
3055	Code list responsible agency code	C an..3	N	Not used
3232	Second related location name	C an..70	N	Not used
5479	Relation code	C an..3	N	Not used

Remark:

Example:

LOC+9+CNHKG:::HONG KONG++CN'



IMP - Manifest



Counte	No	Name	St	MaxOcc	Ebene	Level
0460		SG8 (1)	R	1	1	TDT-SG9-SG10
0500		SG9 (2)	D	1	2	Information about the PoL
0520	27	DTM (1)	D	1	3	Date/time/period

Remark: This segment becomes mandatory when the IFTMCS is used as an export manifest with IMP

		Standard		Implementation	
Bez	Name	St Format	St Format	Anwendung / Bemerkung	
DTM					
C507	Date/time/period	M	M		
2005	Date or time or period function code qualifier	M an..3	M an..3	133 Departure date/time, estimated	
2380	Date or time or period value	C an..35	R an..35		
2379	Date or time or period format code	C an..3	R an..3	102 CCYYMMDD	

Remark:

Example:

DTM+133:20100127:102'



IMP - Manifest



Counte	No	Name	St	MaxOcc	Ebene	Level
0460		SG8 (1)	R	1	1	TDT-SG9-SG10
0500		SG9 (2)	D	1	2	Information about the PoL
0520	28	DTM (2)	O	1	3	Date/time/period

Standard			Implementation	
Bez	Name	St Format	St Format	Anwendung / Bemerkung
DTM				
C507	Date/time/period	M	M	
2005	Date or time or period function code qualifier	M an..3	M an..3	186 Departure date/time, actual
2380	Date or time or period value	C an..35	R an..35	
2379	Date or time or period format code	C an..3	R an..3	102 CCYYMMDD

Remark:

Example:

DTM+186:20100201:102'



IMP - Manifest



Counte	No	Name	St	MaxOcc	Ebene	Level
0460		SG8 (1)	R	1	1	TDT-SG9-SG10
0500		SG9 (3)	O	1	2	Information about the final port of discharge
0510	29	LOC (1)	M	1	2	Place/location identification

		Standard	Implementation	
Bez	Name	St Format	St Format	Anwendung / Bemerkung
LOC				
3227	Location function code qualifier	M an..3	M an..3	170 Final port of discharge
C517	Location identification	C	M	
3225	Location name code	C an..25	R a..5	Location Code of origin (with Qualifier 82) resp. final destination (with Qualifier 170)
1131	Code list identification code	C an..17	N	Not used
3055	Code list responsible agency code	C an..3	N	Not used
3224	Location name	C an..256	R an..35	Name of port of origin (with Qualifier 82) resp. final destination (with Qualifier 170)
C519	Related location one identification	C	N	
3223	First related location name code	C an..25	N	Not used
1131	Code list identification code	C an..17	N	Not used
3055	Code list responsible agency code	C an..3	N	Not used
3222	First related location name	C an..70	N	Not used
C553	Related location two identification	C	N	
3233	Second related location name code	C an..25	N	Not used
1131	Code list identification code	C an..17	N	Not used
3055	Code list responsible agency code	C an..3	N	Not used
3232	Second related location name	C an..70	N	Not used
5479	Relation code	C an..3	N	Not used

Remark:**Example:**

LOC+170+DEDRS:::DRESDEN'



IMP - Manifest



Counte	No	Name	St	MaxOcc	Ebene	Level
0460		SG8 (1)	R	1	1	TDT-SG9-SG10
0500		SG9 (6)	D	1	2	Information about the first customs office at entry
0510	30	LOC (1)	M	1	2	Place/location identification

Standard			Implementation	
Bez	Name	St Format	St Format	Anwendung / Bemerkung
LOC				
3227	Location function code qualifier	M an..3	M an..3	41 Customs office of entry
C517	Location identification	C	M	
3225	Location name code	C an..25	R an8	Field (SumA): First customs office of entry List of customs office codes available at: http://ec.europa.eu/taxation_customs/dds/csrdhome_en.htm
1131	Code list identification code	C an..17	N	Not used
3055	Code list responsible agency code	C an..3	N	Not used
3224	Location name	C an..256	N	Not used
C519	Related location one identification	C	N	
3223	First related location name code	C an..25	C an..25	
1131	Code list identification code	C an..17	N	Not used
3055	Code list responsible agency code	C an..3	N	Not used
3222	First related location name	C an..70	N	Not used
C553	Related location two identification	C	N	
3233	Second related location name code	C an..25	C an..25	
1131	Code list identification code	C an..17	N	Not used
3055	Code list responsible agency code	C an..3	N	Not used
3232	Second related location name	C an..70	N	Not used
5479	Relation code	C an..3	R an..3	0

Remark:**Example:**

LOC+41+FR001234+++0'



IMP - Manifest



Counte	No	Name	St	MaxOcc	Ebene	Level
0460		SG8 (1)	R	1	1	TDT-SG9-SG10
0500		SG9 (6)	D	1	2	Information about the first customs office at entry
0520	31	DTM (1)	R	1	3	Date/time/period

Standard			Implementation	
Bez	Name	St Format	St Format	Anwendung / Bemerkung
DTM				
C507	Date/time/period	M	M	
2005	Date or time or period function code qualifier	M an..3	M an..3	132 Arrival date/time, estimated
2380	Date or time or period value	C an..35	R an..35	
2379	Date or time or period format code	C an..3	R an..3	203 CCYYMMDDHHMM

Remark:

Example:

DTM+132:201001241355:203'



IMP - Manifest



Counte	No	Name	St	MaxOcc	Ebene	Level
0460		SG8 (1)	R	1	1	TDT-SG9-SG10
0530		SG10 (1)	R	1	2	RFF
0540	32	RFF (1)	M	1	2	Vessel Call Sign

Standard			Implementation	
Bez	Name	St Format	St Format	Anwendung / Bemerkung
RFF				
C506	Reference	M	M	
1153	Reference code qualifier	M an..3	M an..3	VM Vessel identification
1154	Reference identifier	C an..70	R an..7	Call Sign of the vessel
1156	Document line identifier	C an..6	N	Not used
4000	Reference version identifier	C an..35	N	Not used
1060	Revision identifier	C an..6	N	Not used

Remark:**Example:**

RFF+VM:CG9TH'



IMP - Manifest



Counte	No	Name	St	MaxOcc	Ebene	Level
0460		SG8 (1)	R	1	1	TDT-SG9-SG10
0530		SG10 (2)	O	1	2	RFF
0540	33	RFF (1)	M	1	2	DAKOSY- or SIS Voyage Number

Standard			Implementation	
Bez	Name	St Format	St Format	Anwendung / Bemerkung
RFF				
C506	Reference	M	M	
1153	Reference code qualifier	M an..3	M an..3	SIS SIS Voyage Reference DAK DAKOSY Voyage Reference
1154	Reference identifier	C an..70	R an..70	
1156	Document line identifier	C an..6	N	Not used
4000	Reference version identifier	C an..35	N	Not used
1060	Revision identifier	C an..6	N	Not used

Remark:**Example:**

RFF+DAK :DKL8796'



IMP - Manifest



Counte	No	Name	St	MaxOcc	Ebene	Level
--------	----	------	----	--------	-------	-------

0460		SG8 (2)	O	1	1	TDT-SG9-SG10
------	--	------------------	---	---	---	--------------

0470	34	TDT (1)	M	1	1	Information about On-Carriage
------	----	------------------	---	---	---	-------------------------------

Standard			Implementation	
Bez	Name	St Format	St Format	Anwendung / Bemerkung
TDT				
8051	Transport stage code qualifier	M an..3	M an..3	30 On-carriage transport
8028	Means of transport journey identifier	C an..17	N	Not used
C220	Mode of transport	C	M	
8067	Transport mode name code	C an..3	R an..3	1 Maritime transport 2 Rail transport 3 Road transport 4 Air transport 8 Inland water transport
8066	Transport mode name	C an..17	N	Not used
C228	Transport means	C	N	
8179	Transport means description code	C an..8	N	Not used
8178	Transport means description	C an..17	N	Not used
C040	Carrier	C	C	
3127	Carrier identifier	C an..17	O an..17	SCAC Code of On Carriage Operator
1131	Code list identification code	C an..17	N	Not used
3055	Code list responsible agency code	C an..3	N	Not used
3128	Carrier name	C an..35	N	Not used
8101	Transit direction indicator code	C an..3	N	Not used
C401	Excess transportation information	C	N	
8457	Excess transportation reason code	M an..3	N	Not used
8459	Excess transportation responsibility code	M an..3	N	Not used
7130	Customer shipment authorisation identifier	C an..17	N	Not used
C222	Transport identification	C	C	
8213	Transport means identification name identifier	C an..9	N	Not used
1131	Code list identification code	C an..17	N	Not used
3055	Code list responsible agency code	C an..3	N	Not used
8212	Transport means identification name	C an..35	R an..35	Field (ZAPP): Vessel Name Vessel Name (On Carriage)
8453	Transport means nationality code	C an..3	N	Not used
8281	Transport means ownership indicator code	C an..3	N	Not used

Remark:

Example:

TDT+30++1++DAKO+++:::MS LUISE'



IMP - Manifest



Counte	No	Name	St	MaxOcc	Ebene	Level
0460		SG8 (2)	O	1	1	TDT-SG9-SG10
0500		SG9 (1)	R	1	2	LOC-DTM
0510	35	LOC (1)	M	1	2	Place/location identification

Standard			Implementation	
Bez	Name	St Format	St Format	Anwendung / Bemerkung
LOC				
3227	Location function code qualifier	M an..3	M an..3	170 Final port of discharge
C517	Location identification	C	M	
3225	Location name code	C an..25	O an..25	Field (ZAPP): Port of Discharge (UN LoCode)
1131	Code list identification code	C an..17	N	Not used
3055	Code list responsible agency code	C an..3	N	Not used
3224	Location name	C an..256	R an..256	Field (ZAPP): Port of Discharge (Name) Remark (ZAPP): While the name of the port of discharge must be provided, the UN Location Code is optional
C519	Related location one identification	C	N	
3223	First related location name code	C an..25	N	Not used
1131	Code list identification code	C an..17	N	Not used
3055	Code list responsible agency code	C an..3	N	Not used
3222	First related location name	C an..70	N	Not used
C553	Related location two identification	C	C	
3233	Second related location name code	C an..25	D an..25	Field (EXS): Itinerary (Port of Discharge) Mandatory when using the IFTMCS for Re-Export Notification or EXS (RFF+CUS = '1')
1131	Code list identification code	C an..17	N	Not used
3055	Code list responsible agency code	C an..3	N	Not used
3232	Second related location name	C an..70	N	Not used
5479	Relation code	C an..3	N	Not used

Remark:**Example:**

LOC+170+NOOSL: :: OSLO++NO'



IMP - Manifest



Counte	No	Name	St	MaxOcc	Ebene	Level
0460		SG8 (2)	O	1	1	TDT-SG9-SG10
0500		SG9 (1)	R	1	2	LOC-DTM
0520	36	DTM (1)	D	1	3	Date/time/period

Standard			Implementation	
Bez	Name	St Format	St Format	Anwendung / Bemerkung
DTM				
C507	Date/time/period	M	M	
2005	Date or time or period function code qualifier	M an..3	M an..3	133 Departure date/time, estimated
2380	Date or time or period value	C an..35	R an..35	Field (ZAPP): Departure Date Remark (ZAPP): This is the date of the departure FROM HAMBURG to the port provided in LOC+7
2379	Date or time or period format code	C an..3	R an..3	Field (EXS): Departure Date 203 CCYYMMDDHHMM 102 CCYYMMDD

Remark:

Example:

DTM+133:201010250956:203'



IMP - Manifest



Counte	No	Name	St	MaxOcc	Ebene	Level
0460		SG8 (2)	O	1	1	TDT-SG9-SG10
0530		SG10 (1)	O	1	2	RFF
0540	37	RFF (1)	M	1	2	DAKOSY- or SIS Voyage Number

Standard			Implementation	
Bez	Name	St Format	St Format	Anwendung / Bemerkung
RFF				
C506	Reference	M	M	
1153	Reference code qualifier	M an..3	M an..3	SIS SIS Voyage Reference DAK DAKOSY Voyage Reference
1154	Reference identifier	C an..70	R an..70	
1156	Document line identifier	C an..6	N	Not used
4000	Reference version identifier	C an..35	N	Not used
1060	Revision identifier	C an..6	N	Not used

Remark:**Example:**

RFF+DAK :DKL8790'



IMP - Manifest



Counte	No	Name	St	MaxOcc	Ebene	Level
0560		SG11 (1)	R	1	1	NAD-SG12-SG15
0570	38	NAD (1)	M	1	1	Information about the presenter / the company lodging the declaration

Remark: Message Sender - equal to the company lodging a declaration

Standard			Implementation	
Bez	Name	St Format	St Format	Anwendung / Bemerkung
NAD				
3035	Party function code qualifier	M an..3	M an..3	MS Document/message issuer/sender
C082	Party identification details	C	C	
3039	Party identifier	M an..35	M an..17	Field (SumA): Presenter's TIN Remark (SumA): If the message sender does have a german TIN/EORI, it should be filled in here. In this case, the message sender's address information will be ignored.
1131	Code list identification code	C an..17	N	Not used
3055	Code list responsible agency code	C an..3	N	Not used
C058	Name and address	C	N	
3124	Name and address description	M an..35	N	Not used
3124	Name and address description	C an..35	N	Not used
3124	Name and address description	C an..35	N	Not used
3124	Name and address description	C an..35	N	Not used
3124	Name and address description	C an..35	N	Not used
C080	Party name	C	D	
3036	Party name	M an..35	M an..35	Field (SumA): Company Name (Presenter) Part 1 Field (ZAPP): Company which files the declaration (Company Name, Part 1) Mandatory if no TIN is specified in this segment's element 3039
3036	Party name	C an..35	C an..35	Field (SumA): Company Name (Presenter) Part 2 Field (ZAPP): Company which files the declaration (Company Name, Part 2)
3036	Party name	C an..35	C an..35	Field (SumA): Company Name (Presenter) Part 3 Field (ZAPP): Company which files the declaration (Company Name, Part 3)
3036	Party name	C an..35	N	Not used
3036	Party name	C an..35	N	Not used
3045	Party name format code	C an..3	N	Not used
C059	Street	C	C	
3042	Street and number or post office box identifier	M an..35	M an..35	Field (SumA): Street and Number (Presenter) Field (ZAPP): Company which files the declaration (Street) Mandatory if no TIN is specified in this segment's element 3039
3042	Street and number or post office box identifier	C an..35	C an..35	Field (SumA): City District (Presenter)
3042	Street and number or post office box identifier	C an..35	N	Not used
3042	Street and number or post office box identifier	C an..35	N	Not used
3164	City name	C an..35	D an..35	Field in SumA: City (Presenter) Field in ZAPP: Company which files the declaration (City) Mandatory if no TIN is specified in this segment's element 3039
C819	Country sub-entity details	C	N	
3229	Country sub-entity name code	C an..9	C an..9	
1131	Code list identification code	C an..17	N	Not used



IMP - Manifest



		Standard	Implementation	
Bez	Name	St Format	St Format	Anwendung / Bemerkung
3055	Code list responsible agency code	C an..3	N	Not used
3228	Country sub-entity name	C an..35	N	Not used
3251	Postal identification code	C an..17	D an..17	Field in SumA: ZIP Code (Presenter) Remark SumA: Mandatory if no TIN is specified Mandatory if no TIN is specified in this segment's element 3039 and country code (element 3207) is 'DE'
3207	Country name code	C an..3	D an..3	Field in SumA: Country/Country Code (Presenter) Field in ZAPP: Company which files the declaration (Country) Mandatory if no TIN is specified in this segment's element 3039

Remark:

Example:

NAD+MS+DE6000522++PRESENTER:COMPANY:PC+ABC-STRASSE 32:ORTSTEIL+GESTELLSTADT++12345+DE'



IMP - Manifest



Counte	No	Name	St	MaxOcc	Ebene	Level
0560		SG11 (1)	R	1	1	NAD-SG12-SG15
0600		SG12 (1)	C	1	2	CTA-COM
0610	39	CTA (1)	M	1	2	Contact information

Standard			Implementation	
Bez	Name	St Format	St Format	Anwendung / Bemerkung
CTA				
3139	Contact function code	C an..3	M an..3	IC Information contact
C056	Department or employee details	C	C	
3413	Department or employee name code	C an..17	N	Not used
3412	Department or employee name	C an..35	M an..35	

Remark:

Example:

CTA+IC+:Mr. Mueller'



IMP - Manifest



Counte	No	Name	St	MaxOcc	Ebene	Level
0560		SG11 (1)	R	1	1	NAD-SG12-SG15
0600		SG12 (1)	C	1	2	CTA-COM
0620	40	COM (1)	M	1	3	Communication contact

Standard			Implementation	
Bez	Name	St Format	St Format	Anwendung / Bemerkung
COM				
C076	Communication contact	M	M	
3148	Communication address identifier	M an..512	M an..512	
3155	Communication address code qualifier	M an..3	M an..3	TE Telephone FX Telefax EM Electronic mail

Remark:

Example:

COM+040370030:TE'



IMP - Manifest



Counte	No	Name	St	MaxOcc	Ebene	Level
0560		SG11 (2)	O	1	1	NAD-SG12-SG15
0570	41	NAD (1)	M	1	1	Information about the carrier

Standard			Implementation	
Bez	Name	St Format	St Format	Anwendung / Bemerkung
NAD				
3035	Party function code qualifier	M an..3	M an..3	CG Carrier's agent
C082	Party identification details	C	N	
3039	Party identifier	M an..35	M an..35	
1131	Code list identification code	C an..17	N	Not used
3055	Code list responsible agency code	C an..3	N	Not used
C058	Name and address	C	N	
3124	Name and address description	M an..35	N	Not used
3124	Name and address description	C an..35	N	Not used
3124	Name and address description	C an..35	N	Not used
3124	Name and address description	C an..35	N	Not used
3124	Name and address description	C an..35	N	Not used
C080	Party name	C	C	
3036	Party name	M an..35	R an..35	
3036	Party name	C an..35	N	Not used
3036	Party name	C an..35	N	Not used
3036	Party name	C an..35	N	Not used
3036	Party name	C an..35	N	Not used
3045	Party name format code	C an..3	N	Not used
C059	Street	C	C	
3042	Street and number or post office box identifier	M an..35	R an..35	
3042	Street and number or post office box identifier	C an..35	N	Not used
3042	Street and number or post office box identifier	C an..35	N	Not used
3042	Street and number or post office box identifier	C an..35	N	Not used
3164	City name	C an..35	R an..35	
C819	Country sub-entity details	C	N	
3229	Country sub-entity name code	C an..9	N	Not used
1131	Code list identification code	C an..17	N	Not used
3055	Code list responsible agency code	C an..3	N	Not used
3228	Country sub-entity name	C an..35	N	Not used
3251	Postal identification code	C an..17	O an..17	
3207	Country name code	C an..3	O an..3	

Remark:**Example:**

NAD+CG+++CARRIER COMPANY+WINROAD 21+HONGKONG++123450+CN'



IMP - Manifest



Counte	No	Name	St	MaxOcc	Ebene	Level
0560		SG11 (2)	O	1	1	NAD-SG12-SG15
0600		SG12 (1)	C	1	2	CTA-COM
0610	42	CTA (1)	M	1	2	Contact information

Standard			Implementation	
Bez	Name	St Format	St Format	Anwendung / Bemerkung
CTA				
3139	Contact function code	C an..3	M an..3	IC Information contact
C056	Department or employee details	C	C	
3413	Department or employee name code	C an..17	N	Not used
3412	Department or employee name	C an..35	M an..35	Contact person or department at the carrier resp. the carrier's agent.

Remark:**Example:**

CTA+IC+ :X'



IMP - Manifest



Counte	No	Name	St	MaxOcc	Ebene	Level
0560		SG11 (2)	O	1	1	NAD-SG12-SG15
0600		SG12 (1)	C	1	2	CTA-COM
0620	43	COM (1)	C	9	3	Communication contact

Standard			Implementation	
Bez	Name	St Format	St Format	Anwendung / Bemerkung
COM				
C076	Communication contact	M	M	
3148	Communication address identifier	M an..512	M an..512	
3155	Communication address code qualifier	M an..3	M an..3	EM Electronic mail FX Telefax TE Telephone

Remark:

Example:

COM+(0123) 456-78:TE'



IMP - Manifest



Counte	No	Name	St	MaxOcc	Ebene	Level
--------	----	------	----	--------	-------	-------

0560 **SG11** (3) O 1 1 **NAD-SG15**

0570 44 **NAD** (1) M 1 1 **Information about the shipper/consignor**

		Standard		Implementation		
Bez	Name	St	Format	St	Format	Anwendung / Bemerkung
NAD						
3035	Party function code qualifier	M	an..3	M	an..3	CZ Consignor
C082	Party identification details	C		C		
3039	Party identifier	M	an..35	M	an..35	
1131	Code list identification code	C	an..17	N		Not used
3055	Code list responsible agency code	C	an..3	N		Not used
C058	Name and address	C		N		
3124	Name and address description	M	an..35	N		Not used
3124	Name and address description	C	an..35	N		Not used
3124	Name and address description	C	an..35	N		Not used
3124	Name and address description	C	an..35	N		Not used
3124	Name and address description	C	an..35	N		Not used
C080	Party name	C		C		
3036	Party name	M	an..35	R	an..35	Field (ZAPP): Consignor (Name) Field (EXS): Consignor (Name)
3036	Party name	C	an..35	N		Not used
3036	Party name	C	an..35	N		Not used
3036	Party name	C	an..35	N		Not used
3036	Party name	C	an..35	N		Not used
3045	Party name format code	C	an..3	N		Not used
C059	Street	C		C		
3042	Street and number or post office box identifier	M	an..35	R	an..35	Field (ZAPP): Consignor (Street) Field (EXS): Consignor (Street)
3042	Street and number or post office box identifier	C	an..35	N		Not used
3042	Street and number or post office box identifier	C	an..35	N		Not used
3042	Street and number or post office box identifier	C	an..35	N		Not used
3164	City name	C	an..35	R	an..35	Field in ZAPP: Consignor (City) Field in EXS: Consignor (City)
C819	Country sub-entity details	C		N		
3229	Country sub-entity name code	C	an..9	N		Not used
1131	Code list identification code	C	an..17	N		Not used
3055	Code list responsible agency code	C	an..3	N		Not used
3228	Country sub-entity name	C	an..35	N		Not used
3251	Postal identification code	C	an..17	O	an..17	
3207	Country name code	C	an..3	O	an..3	Field in ZAPP: Consignor (Country) Field in EXS: Consignor (Country)

Remark:**Example:**

NAD+CZ+DE1234567++Shipping Company+40 Zhengu Road+Hong Kong++12345+CN'



IMP - Manifest



Counte	No	Name	St	MaxOcc	Ebene	Level
--------	----	------	----	--------	-------	-------

0560 **SG11** (4) O 1 1 NAD-SG15

0570 45 **NAD** (1) M 1 1 Information about the consignee

Standard			Implementation		
Bez	Name	St Format	St Format	Anwendung / Bemerkung	
NAD					
3035	Party function code qualifier	M an..3	M an..3	CN Consignee	
C082	Party identification details	C	C		
3039	Party identifier	M an..35	M an..35		
1131	Code list identification code	C an..17	N	Not used	
3055	Code list responsible agency code	C an..3	N	Not used	
C058	Name and address	C	N		
3124	Name and address description	M an..35	N	Not used	
3124	Name and address description	C an..35	N	Not used	
3124	Name and address description	C an..35	N	Not used	
3124	Name and address description	C an..35	N	Not used	
3124	Name and address description	C an..35	N	Not used	
C080	Party name	C	D		
3036	Party name	M an..35	R an..35	Field (ZAPP): Consignee (Name) Field (EXS): Consignee (Name)	
3036	Party name	C an..35	N	Not used	
3036	Party name	C an..35	N	Not used	
3036	Party name	C an..35	N	Not used	
3036	Party name	C an..35	N	Not used	
3045	Party name format code	C an..3	N	Not used	
C059	Street	C	D		
3042	Street and number or post office box identifier	M an..35	R an..35	Field (ZAPP): Consignee (Street) Field (EXS): Consignee (Street)	
3042	Street and number or post office box identifier	C an..35	N	Not used	
3042	Street and number or post office box identifier	C an..35	N	Not used	
3042	Street and number or post office box identifier	C an..35	N	Not used	
3164	City name	C an..35	R an..35	Field in ZAPP: Consignee (City) Field in EXS: Consignee (City)	
C819	Country sub-entity details	C	N		
3229	Country sub-entity name code	C an..9	N	Not used	
1131	Code list identification code	C an..17	N	Not used	
3055	Code list responsible agency code	C an..3	N	Not used	
3228	Country sub-entity name	C an..35	N	Not used	
3251	Postal identification code	C an..17	O an..17		
3207	Country name code	C an..3	R an..3	Field in ZAPP: Consignee (Country) Field in EXS: Consignee (Country)	

Remark:

Example:

NAD+CN+DE4854541++EMPFAENGER GMBH+STRASSE 72+DRESDEN++01900+DE'
 NAD+CN+DE4854541++EMPFAENGER GMBH+STRASSE 72+DRESDEN++01900+DE'



IMP - Manifest



Counte	No	Name	St	MaxOcc	Ebene	Level
0560		SG11 (5)	O	1	1	NAD-SG15
0570	46	NAD (1)	M	1	1	Notify Party

Standard			Implementation	
Bez	Name	St Format	St Format	Anwendung / Bemerkung
NAD				
3035	Party function code qualifier	M an..3	M an..3	N1 Notify party no. 1
C082	Party identification details	C	N	
3039	Party identifier	M an..35	N	Not used
1131	Code list identification code	C an..17	N	Not used
3055	Code list responsible agency code	C an..3	N	Not used
C058	Name and address	C	N	
3124	Name and address description	M an..35	N	Not used
3124	Name and address description	C an..35	N	Not used
3124	Name and address description	C an..35	N	Not used
3124	Name and address description	C an..35	N	Not used
3124	Name and address description	C an..35	N	Not used
C080	Party name	C	D	
3036	Party name	M an..35	O an..35	
3036	Party name	C an..35	N	Not used
3036	Party name	C an..35	N	Not used
3036	Party name	C an..35	N	Not used
3036	Party name	C an..35	N	Not used
3045	Party name format code	C an..3	N	Not used
C059	Street	C	C	
3042	Street and number or post office box identifier	M an..35	O an..35	
3042	Street and number or post office box identifier	C an..35	N	Not used
3042	Street and number or post office box identifier	C an..35	N	Not used
3042	Street and number or post office box identifier	C an..35	N	Not used
3164	City name	C an..35	O an..35	
C819	Country sub-entity details	C	N	
3229	Country sub-entity name code	C an..9	N	Not used
1131	Code list identification code	C an..17	N	Not used
3055	Code list responsible agency code	C an..3	N	Not used
3228	Country sub-entity name	C an..35	N	Not used
3251	Postal identification code	C an..17	O an..17	
3207	Country name code	C an..3	O an..3	

Remark:**Example:**

NAD+N1+++VERGISSMEINNICHT AG+EINESTRASSE 99+LEIPZIG++03000+DE'



IMP - Manifest



Counte	No	Name	St	MaxOcc	Ebene	Level
0560		SG11 (8)	D	1	1	NAD-SG15
0570	47	NAD (1)	M	1	1	Warehouse Keeper

Standard			Implementation	
Bez	Name	St Format	St Format	Anwendung / Bemerkung
NAD				
3035	Party function code qualifier	M an..3	M an..3	SN Store keeper
C082	Party identification details	C	R	
3039	Party identifier	M an..35	R an..35	Field (SumA): Temporary Storage Keeper (TIN)
1131	Code list identification code	C an..17	N	Not used
3055	Code list responsible agency code	C an..3	N	Not used
C058	Name and address	C	N	
3124	Name and address description	M an..35	N	Not used
3124	Name and address description	C an..35	N	Not used
3124	Name and address description	C an..35	N	Not used
3124	Name and address description	C an..35	N	Not used
3124	Name and address description	C an..35	N	Not used
C080	Party name	C	N	
3036	Party name	M an..35	N	Not used
3036	Party name	C an..35	N	Not used
3036	Party name	C an..35	N	Not used
3036	Party name	C an..35	N	Not used
3036	Party name	C an..35	N	Not used
3045	Party name format code	C an..3	N	Not used
C059	Street	C	N	
3042	Street and number or post office box identifier	M an..35	N	Not used
3042	Street and number or post office box identifier	C an..35	N	Not used
3042	Street and number or post office box identifier	C an..35	N	Not used
3042	Street and number or post office box identifier	C an..35	N	Not used
3164	City name	C an..35	N	Not used
C819	Country sub-entity details	C	N	
3229	Country sub-entity name code	C an..9	N	Not used
1131	Code list identification code	C an..17	N	Not used
3055	Code list responsible agency code	C an..3	N	Not used
3228	Country sub-entity name	C an..35	N	Not used
3251	Postal identification code	C an..17	N	Not used
3207	Country name code	C an..3	N	Not used

Remark:

Example:

NAD+SN+1234567'



IMP - Manifest



Counte	No	Name	St	MaxOcc	Ebene	Level
0560		SG11 (8)	D	1	1	NAD-SG15
0740		SG15 (2)	R	1	2	RFF
0750	48	RFF (1)	M	1	2	Storage Location

Standard			Implementation	
Bez	Name	St Format	St Format	Anwendung / Bemerkung
RFF				
C506	Reference	M	M	
1153	Reference code qualifier	M an..3	M an..3	WS Warehouse storage location number
1154	Reference identifier	C an..70	M an..70	Code of the storage location
1156	Document line identifier	C an..6	N	Not used
4000	Reference version identifier	C an..35	N	Not used
1060	Revision identifier	C an..6	N	Not used

Remark:**Example:**

RFF+WS: 1'



IMP - Manifest



Counte	No	Name	St	MaxOcc	Ebene	Level
--------	----	------	----	--------	-------	-------

0890 **SG18** (1) R 999 1 **GID-TMP-RNG-LOC-PIA-FTX-SG20-SG22-SG23-SG27-SG30**

0900 49 **GID** (1) M 1 1 **Package information**

Standard			Implementation	
Bez	Name	St Format	St Format	Anwendung / Bemerkung
GID				
1496	Goods item number	C n..5	R n..5	This is a sequential number starting with 1 and increased by 1 for each Goods Item (GID segment); 1, 2, 3... Field in EXS: Goods Item Number
C213	Number and type of packages	C	D	
7224	Package quantity	C n..8	R n..8	Field (SumA): Number of packages Field (ZAPP): Number of packages Field (EXS): Number of packages
7065	Package type description code	C an..17	R an..17	Field (SumA): Type of Packages Remark (SumA): Mandatory for declaration of temporary storage Field (EXS): Type of Packages Code accd. Customs Codelist A1160 (german version as a part of the ATLAS guide at http://www.zoll.de/e0_downloads/edifact_release_8_3/index.html)
1131	Code list identification code	C an..17	N	Not used
3055	Code list responsible agency code	C an..3	N	Not used
7064	Type of packages	C an..35	N	Not used
7233	Packaging related description code	C an..3	N	Not used
C213	Number and type of packages	C	N	
7224	Package quantity	C n..8	N	Not used
7065	Package type description code	C an..17	N	Not used
1131	Code list identification code	C an..17	N	Not used
3055	Code list responsible agency code	C an..3	N	Not used
7064	Type of packages	C an..35	N	Not used
7233	Packaging related description code	C an..3	N	Not used
C213	Number and type of packages	C	N	
7224	Package quantity	C n..8	N	Not used
7065	Package type description code	C an..17	N	Not used
1131	Code list identification code	C an..17	N	Not used
3055	Code list responsible agency code	C an..3	N	Not used
7064	Type of packages	C an..35	N	Not used
7233	Packaging related description code	C an..3	N	Not used
C213	Number and type of packages	C	N	
7224	Package quantity	C n..8	N	Not used
7065	Package type description code	C an..17	N	Not used
1131	Code list identification code	C an..17	N	Not used
3055	Code list responsible agency code	C an..3	N	Not used
7064	Type of packages	C an..35	N	Not used
7233	Packaging related description code	C an..3	N	Not used
C213	Number and type of packages	C	N	
7224	Package quantity	C n..8	N	Not used
7065	Package type description code	C an..17	N	Not used
1131	Code list identification code	C an..17	N	Not used



IMP - Manifest



		Standard	Implementation	
Bez	Name	St Format	St Format	Anwendung / Bemerkung
3055	Code list responsible agency code	C an..3	N	Not used
7064	Type of packages	C an..35	N	Not used
7233	Packaging related description code	C an..3	N	Not used

Remark:

Example:

GID+1+9:CT'



IMP - Manifest



Counte	No	Name	St	MaxOcc	Ebene	Level
--------	----	------	----	--------	-------	-------

0890		SG18 (1)	R	999	1	GID-TMP-RNG-LOC-PIA-FTX-SG20-SG22-SG23-SG27-SG30
------	--	-------------------	---	-----	---	--

0920	50	TMP (1)	O	1	2	Temperature
------	----	------------------	---	---	---	-------------

Standard			Implementation	
Bez	Name	St Format	St Format	Anwendung / Bemerkung
TMP				
6245	Temperature type code qualifier	M an..3	M an..3	2 Transport temperature
C239	Temperature setting	C	M	
6246	Temperature value	C n..15	R n..5	
6411	Measurement unit code	C an..3	R an..3	CEL degree Celsius FAH degree Fahrenheit

Remark:

Example:

TMP+2+9:CEL'



IMP - Manifest



Counte	No	Name	St	MaxOcc	Ebene	Level
--------	----	------	----	--------	-------	-------

0890		SG18 (1)	R	999	1	GID-TMP-RNG-LOC-PIA-FTX-SG20-SG22-SG23-SG27-SG30
------	--	-------------------	---	-----	---	--

0930	51	RNG (1)	O	1	2	Range details
------	----	------------------	---	---	---	---------------

Standard			Implementation	
Bez	Name	St Format	St Format	Anwendung / Bemerkung
RNG				
6167	Range type code qualifier	M an..3	M an..3	12 Transport temperature range
C280	Range	C	M	
6411	Measurement unit code	M an..3	R an..3	CEL degree Celsius FAH degree Fahrenheit
6162	Range minimum value	C n..18	R n..18	
6152	Range maximum value	C n..18	R n..18	

Remark:

Example:

RNG+12+CEL:9:9'



IMP - Manifest



Counte	No	Name	St	MaxOcc	Ebene	Level
0890		SG18 (1)	R	999	1	GID-TMP-RNG-LOC-PIA-FTX-SG20-SG22-SG23-SG27-SG30
0950	52	LOC (2)	D	1	2	Country of origin

Standard			Implementation	
Bez	Name	St Format	St Format	Anwendung / Bemerkung
LOC				
3227	Location function code qualifier	M an..3	M an..3	27 Country of origin
C517	Location identification	C	M	
3225	Location name code	C an..25	R a2	Country of Origin. Must be sent if the summary declaration of temporary storage should be triggered based on data from this IFTMCS message. Field (SumA): Country of Origin Field (ZAPP): Country of Origin
1131	Code list identification code	C an..17	N	Not used
3055	Code list responsible agency code	C an..3	N	Not used
3224	Location name	C an..256	N	Not used
C519	Related location one identification	C	N	
3223	First related location name code	C an..25	N	Not used
1131	Code list identification code	C an..17	N	Not used
3055	Code list responsible agency code	C an..3	N	Not used
3222	First related location name	C an..70	N	Not used
C553	Related location two identification	C	N	
3233	Second related location name code	C an..25	N	Not used
1131	Code list identification code	C an..17	N	Not used
3055	Code list responsible agency code	C an..3	N	Not used
3232	Second related location name	C an..70	N	Not used
5479	Relation code	C an..3	N	Not used

Remark:**Example:**

LOC+27+CN'



IMP - Manifest



Counte	No	Name	St	MaxOcc	Ebene	Level
--------	----	------	----	--------	-------	-------

0890		SG18 (1)	R	999	1	GID-TMP-RNG-LOC-PIA-FTX-SG20-SG22-SG23-SG27-SG30
------	--	-------------------	---	-----	---	--

0950	53	LOC (3)	D	1	2	Country of destination
------	----	------------------	---	---	---	------------------------

Remark (ZAPP): [Required for re-export declaration \(transhipments\)](#)

		Standard		Implementation	
Bez	Name	St	Format	St	Format / Anwendung / Bemerkung
	LOC				
3227	Location function code qualifier	M	an..3	M	an..3 28 Country of destination of goods
C517	Location identification	C		M	
3225	Location name code	C	an..25	R	a2 Field (ZAPP): Country of Destination
1131	Code list identification code	C	an..17	N	Not used
3055	Code list responsible agency code	C	an..3	N	Not used
3224	Location name	C	an..256	N	Not used
C519	Related location one identification	C		N	
3223	First related location name code	C	an..25	N	Not used
1131	Code list identification code	C	an..17	N	Not used
3055	Code list responsible agency code	C	an..3	N	Not used
3222	First related location name	C	an..70	N	Not used
C553	Related location two identification	C		N	
3233	Second related location name code	C	an..25	N	Not used
1131	Code list identification code	C	an..17	N	Not used
3055	Code list responsible agency code	C	an..3	N	Not used
3232	Second related location name	C	an..70	N	Not used
5479	Relation code	C	an..3	N	Not used

Remark:

Example:

LOC+28+RU'



IMP - Manifest



Counte	No	Name	St	MaxOcc	Ebene	Level
0890		SG18 (1)	R	999	1	GID-TMP-RNG-LOC-PIA-FTX-SG20-SG22-SG23-SG27-SG30
0950	54	LOC (4)	D	1	2	Place of (final) destination

Standard			Implementation	
Bez	Name	St Format	St Format	Anwendung / Bemerkung
LOC				
3227	Location function code qualifier	M an..3	M an..3	7 Place of delivery In the previous version of the mig this segment accidentally has been described as LOC+8. This qualifier will still be accepted, but internally converted to LOC+7
C517	Location identification	C	M	
3225	Location name code	C an..25	N	Not used
1131	Code list identification code	C an..17	N	Not used
3055	Code list responsible agency code	C an..3	N	Not used
3224	Location name	C an..256	R an..35	Final destination of goods. Must be sent if the summary declaration of temporary storage should be triggered based on data from this IFTMCS message. Field (SumA): Final Destination
C519	Related location one identification	C	N	
3223	First related location name code	C an..25	N	Not used
1131	Code list identification code	C an..17	N	Not used
3055	Code list responsible agency code	C an..3	N	Not used
3222	First related location name	C an..70	N	Not used
C553	Related location two identification	C	N	
3233	Second related location name code	C an..25	N	Not used
1131	Code list identification code	C an..17	N	Not used
3055	Code list responsible agency code	C an..3	N	Not used
3232	Second related location name	C an..70	N	Not used
5479	Relation code	C an..3	N	Not used

Remark:**Example:**

LOC+7+ : : MUENCHEN'



IMP - Manifest



Counte	No	Name	St	MaxOcc	Ebene	Level
0890		SG18 (1)	R	999	1	GID-TMP-RNG-LOC-PIA-FTX-SG20-SG22-SG23-SG27-SG30
0970	55	PIA (1)	D	1	2	Commodity code

Standard			Implementation	
Bez	Name	St Format	St Format	Anwendung / Bemerkung
PIA				
4347	Product identifier code qualifier	M an..3	M an..3	5 Product identification
C212	Item number identification	M	M	
7140	Item identifier	C an..35	R n..10	Commodity code. For certain use cases the 8- or 10-digit-combined-nomenclature code is required, but usually the 4-digit-code will be sufficient. Field (EXS): Goods Description
7143	Item type identification code	C an..3	R an..3	HS Harmonised system
1131	Code list identification code	C an..17	N	Not used
3055	Code list responsible agency code	C an..3	N	Not used
C212	Item number identification	C	N	
7140	Item identifier	C an..35	N	Not used
7143	Item type identification code	C an..3	N	Not used
1131	Code list identification code	C an..17	N	Not used
3055	Code list responsible agency code	C an..3	N	Not used
C212	Item number identification	C	N	
7140	Item identifier	C an..35	N	Not used
7143	Item type identification code	C an..3	N	Not used
1131	Code list identification code	C an..17	N	Not used
3055	Code list responsible agency code	C an..3	N	Not used
C212	Item number identification	C	N	
7140	Item identifier	C an..35	N	Not used
7143	Item type identification code	C an..3	N	Not used
1131	Code list identification code	C an..17	N	Not used
3055	Code list responsible agency code	C an..3	N	Not used

Remark:

Example:

PIA+5+1234:HS'



IMP - Manifest



Counte	No	Name	St	MaxOcc	Ebene	Level
--------	----	------	----	--------	-------	-------

0890		SG18 (1)	R	999	1	GID-TMP-RNG-LOC-PIA-FTX-SG20-SG22-SG23-SG27-SG30
------	--	-------------------	---	-----	---	--

0980	56	FTX (1)	R	1	2	Goods Description
------	----	------------------	---	---	---	-------------------

Standard			Implementation	
Bez	Name	St Format	St Format	Anwendung / Bemerkung
FTX				
4451	Text subject code qualifier	M an..3	M an..3	
4453	Free text function code	C an..3	N	Not used
C107	Text reference	C	N	
4441	Free text value code	M an..17	N	Not used
1131	Code list identification code	C an..17	N	Not used
3055	Code list responsible agency code	C an..3	N	Not used
C108	Text literal	C	M	
4440	Free text value	M an..512	M an..256	Field (SumA): Goods Description Remark (SumA): Common goods description Goods Description. Please note that - depending on who is actually sending the SumA - only the first 140 characters might be used for the summary declaration of temporary storage. Field (ZAPP): Goods Description Field (EXS): Warenbezeichnung Field (EXS): Warenbezeichnung
4440	Free text value	C an..512	N	Not used
4440	Free text value	C an..512	N	Not used
4440	Free text value	C an..512	N	Not used
4440	Free text value	C an..512	N	Not used
3453	Language name code	C an..3	N	Not used
4447	Free text format code	C an..3	N	Not used

Remark:**Example:**

FTX+AAA+++GOODS DESCRIPTION'



IMP - Manifest



Counte	No	Name	St	MaxOcc	Ebene	Level
--------	----	------	----	--------	-------	-------

0890		SG18 (1)	R	999	1	GID-TMP-RNG-LOC-PIA-FTX-SG20-SG22-SG23-SG27-SG30
------	--	-------------------	---	-----	---	--

0980	57	FTX (2)	D	1	2	Free text
------	----	------------------	---	---	---	-----------

Remark: Mandatory if the IFTMCS data is used for a summary declaration of temporary storage

Standard			Implementation	
Bez	Name	St Format	St Format	Anwendung / Bemerkung
FTX				
4451	Text subject code qualifier	M an..3	M an..3	AAH Customs information
4453	Free text function code	C an..3	N	Not used
C107	Text reference	C	N	
4441	Free text value code	M an..17	N	Not used
1131	Code list identification code	C an..17	N	Not used
3055	Code list responsible agency code	C an..3	N	Not used
C108	Text literal	C	M	
4440	Free text value	M an..512	R an1	Only used when using the IFTMCS to submit data for the summary declaration of temporary storage to the IMP. This field contains the current customs status of the goods in coded form. Field (SumA): Customs status of goods N constant value
4440	Free text value	C an..512	N	Not used
4440	Free text value	C an..512	N	Not used
4440	Free text value	C an..512	N	Not used
4440	Free text value	C an..512	N	Not used
3453	Language name code	C an..3	N	Not used
4447	Free text format code	C an..3	N	Not used

Remark:

Example:

'FTX+AAH+++N'



IMP - Manifest



Counte	No	Name	St	MaxOcc	Ebene	Level
--------	----	------	----	--------	-------	-------

0890		SG18 (1)	R	999	1	GID-TMP-RNG-LOC-PIA-FTX-SG20-SG22-SG23-SG27-SG30
------	--	-------------------	---	-----	---	---

0980	58	FTX (3)	D	1	2	Free text
------	----	------------------	---	---	---	------------------

Remark: Used only if the IFTMCS data is used for the summary declaration of temporary storage

Standard			Implementation	
Bez	Name	St Format	St Format	Anwendung / Bemerkung
FTX				
4451	Text subject code qualifier	M an..3	M an..3	MKS Additional marks/numbers information
4453	Free text function code	C an..3	N	Not used
C107	Text reference	C	N	
4441	Free text value code	M an..17	N	Not used
1131	Code list identification code	C an..17	N	Not used
3055	Code list responsible agency code	C an..3	N	Not used
C108	Text literal	C	M	
4440	Free text value	M an..512	R an..512	This fields' contents will be sent to customs as a unique reference when using the IFTMCS data for the summary declaration of temporary storage. If FTX+MKS is not submitted, a combination of B/L-No., Containernumber and current date is used. Field (SumA): Unique Reference (SpO) Remark (SumA): B/L-NO.+Containerno. +Date(YYYYMMDDHHMM) will be used as SpO if this field is not used
4440	Free text value	C an..512	N	Not used
4440	Free text value	C an..512	N	Not used
4440	Free text value	C an..512	N	Not used
4440	Free text value	C an..512	N	Not used
3453	Language name code	C an..3	N	Not used
4447	Free text format code	C an..3	N	Not used

Remark:

Example:

FTX+MKS+++XC10444D5'



IMP - Manifest



Counte	No	Name	St	MaxOcc	Ebene	Level
0890		SG18 (1)	R	999	1	GID-TMP-RNG-LOC-PIA-FTX-SG20-SG22-SG23-SG27-SG30
1040		SG20 (1)	R	1	2	MEA
1050	59	MEA (1)	M	1	2	Gross Weight (Goods Item Level)

Standard			Implementation	
Bez	Name	St Format	St Format	Anwendung / Bemerkung
MEA				
6311	Measurement purpose code qualifier	M an..3	M an..3	AAE Measurement
C502	Measurement details	C	M	
6313	Measured attribute code	C an..3	R an..3	G Gross weight
6321	Measurement significance code	C an..3	N	Not used
6155	Non-discrete measurement name code	C an..17	N	Not used
6154	Non-discrete measurement name	C an..70	N	Not used
C174	Value/range	C	M	
6411	Measurement unit code	M an..3	R an..3	KGM kilogram
6314	Measurement value	C an..18	R n..14	Gross weight of the goods, including packaging and other material. Format: 14,3 - Three decimals after the comma are allowed; the unit is kilogram. Field (ZAPP): Gross Weight Field (EXS): Gross Weight
6162	Range minimum value	C n..18	N	Not used
6152	Range maximum value	C n..18	N	Not used
6432	Significant digits quantity	C n..2	N	Not used
7383	Surface or layer code	C an..3	N	Not used

Remark:

Example:

MEA+AAE+G+KGM: 22500'



IMP - Manifest



Counte	No	Name	St	MaxOcc	Ebene	Level
--------	----	------	----	--------	-------	-------

0890		SG18 (1)	R	999	1	GID-TMP-RNG-LOC-PIA-FTX-SG20-SG22-SG23-SG27-SG30
------	--	-------------------	---	-----	---	---

1100		SG22 (1)	D	1	2	RFF
------	--	-------------------	---	---	---	------------

Remark: Required for local summary declaration ("Import SumA), if MRN from entry summary declaration exists

1110	60	RFF (1)	M	1	2	MRN of ENS declaration (Goods Item level)
------	----	------------------	---	---	---	--

Standard			Implementation	
Bez	Name	St Format	St Format	Anwendung / Bemerkung
RFF				
C506	Reference	M	M	
1153	Reference code qualifier	M an..3	M an..3	<p>MRN Mailing reference number AEI Registration number of previous Customs declaration</p> <p>In order to harmonise the interfaces, the qualifier AEI has been introduced. AEI and MRN may be used synonymously. Since the qualifier "MRN" will be removed in later versions, the usage of "AEI" is recommended.</p>
1154	Reference identifier	C an..70	D an18	<p>NOTE: Might be used only if no MRN has been provided on header level.</p> <p>If the summary declaration of temporary storage should be triggered based on data from this IFTMCS message and an MRN number is indicated here, IMP will assume that the summary declaration has been preceded by an entry summary declaration with the MRN provided. Field (SumA): MRN from ENS Declaration (Goods Item Level)</p>
1156	Document line identifier	C an..6	R an..5	Position ID of an MRN from a previous entry summary declaration
4000	Reference version identifier	C an..35	D an..6	<p>ESUMA MRN of an Entry summary declaration OESUMA If reference is an export MRN, it has to marked with OESUMA</p> <p>Previous document type Mandatory, if reference is an export MRN.</p>
1060	Revision identifier	C an..6	N	Not used

Remark:
The MRN from a Customs transit procedure must not be entered here.

Example:
RFF+AEI:08DE32101234567898:1:ESUMA'



IMP - Manifest



Counte	No	Name	St	MaxOcc	Ebene	Level
0890		SG18 (1)	R	999	1	GID-TMP-RNG-LOC-PIA-FTX-SG20-SG22-SG23-SG27-SG30
1130		SG23 (1)	O	9	2	PCI
1140	61	PCI (1)	M	1	2	Marks & Numbers

Standard			Implementation	
Bez	Name	St Format	St Format	Anwendung / Bemerkung
PCI				
4233	Marking instructions code	C an..3	N	Not used
C210	Marks & labels	C	M	
7102	Shipping marks description	M an..35	M an..35	Marks & Numbers, Part 1
7102	Shipping marks description	C an..35	O an..35	Marks & Numbers, Part 2
7102	Shipping marks description	C an..35	O an..35	Marks & Numbers, Part 3
7102	Shipping marks description	C an..35	O an..35	Marks & Numbers, Part 4
7102	Shipping marks description	C an..35	N	Not used
7102	Shipping marks description	C an..35	N	Not used
7102	Shipping marks description	C an..35	N	Not used
7102	Shipping marks description	C an..35	N	Not used
7102	Shipping marks description	C an..35	N	Not used
7102	Shipping marks description	C an..35	N	Not used
8275	Container or package contents indicator code	C an..3	N	Not used
C827	Type of marking	C	N	
7511	Marking type code	M an..3	N	Not used
1131	Code list identification code	C an..17	N	Not used
3055	Code list responsible agency code	C an..3	N	Not used

Remark:**Example:**

PCI++MARKS : AND : NUMBERS : ABCD '



IMP - Manifest



Counte	No	Name	St	MaxOcc	Ebene	Level
--------	----	------	----	--------	-------	-------

0890		SG18 (1)	R	999	1	GID-TMP-RNG-LOC-PIA-FTX-SG20-SG22-SG23-SG27-SG30
------	--	-------------------	---	-----	---	---

1260		SG27 (1)	D	999	2	SGP-SG28
------	--	-------------------	---	-----	---	-----------------

Remark: Mandatory for containerised goods or vehicles

1270	62	SGP (1)	M	1	2	Container Numbers
------	----	------------------	---	---	---	--------------------------

Standard			Implementation	
Bez	Name	St Format	St Format	Anwendung / Bemerkung
SGP				
C237	Equipment identification	M	M	
8260	Equipment identifier	C an..17	R an..17	Field (ZAPP): Container Number Field (EXS): Container Number
1131	Code list identification code	C an..17	N	Not used
3055	Code list responsible agency code	C an..3	N	Not used
3207	Country name code	C an..3	N	Not used
7224	Package quantity	C n..8	D n..5	Number of packages allocated to this container. Must be sent if the summary declaration of temporary storage should be triggered based on data from this IFTMCS message and the goods are containerized. Field in SumA: Number of Packages

Remark:

Example:

SGP+CARR3322115+9'



IMP - Manifest



Counte	No	Name	St	MaxOcc	Ebene	Level
--------	----	------	----	--------	-------	-------

0890		SG18 (1)	R	999	1	GID-TMP-RNG-LOC-PIA-FTX-SG20-SG22-SG23-SG27-SG30
------	--	-------------------	---	-----	---	---

1260		SG27 (1)	D	999	2	SGP-SG28
------	--	-------------------	---	-----	---	-----------------

Remark: Mandatory for containerised goods or vehicles

1290		SG28 (1)	D	1	3	MEA
------	--	-------------------	---	---	---	------------

Remark: Mandatory, if a summary declaration ("Import SumA") shall be generated.

1300	63	MEA (1)	M	1	3	Weight per container
------	----	------------------	---	---	---	-----------------------------

Standard			Implementation	
Bez	Name	St Format	St Format	Anwendung / Bemerkung
MEA				
6311	Measurement purpose code qualifier	M an..3	M an..3	WT Weights
C502	Measurement details	C	M	
6313	Measured attribute code	C an..3	R an..3	G Gross weight
6321	Measurement significance code	C an..3	N	Not used
6155	Non-discrete measurement name code	C an..17	N	Not used
6154	Non-discrete measurement name	C an..70	N	Not used
C174	Value/range	C	R	
6411	Measurement unit code	M an..3	M an..3	KGM kilogram
6314	Measurement value	C an..18	R n..14	Gross Weight of the part of the goods which have been loaded in the container indicated in the SGP segment. Format: 14,3 Please not, that depending on the processing system the accepted format may differ. Following format is recommended: n..6 (5,1) Max.5 digits, one decimal.
6162	Range minimum value	C n..18	N	Not used
6152	Range maximum value	C n..18	N	Not used
6432	Significant digits quantity	C n..2	N	Not used
7383	Surface or layer code	C an..3	N	Not used

Remark:

Example:

MEA+WT+G+KGM: 398 . 1 '



IMP - Manifest



Counte	No	Name	St	MaxOcc	Ebene	Level
0890		SG18 (1)	R	999	1	GID-TMP-RNG-LOC-PIA-FTX-SG20-SG22-SG23-SG27-SG30
1410		SG30 (1)	O	99	2	DGS-FTX
1420	64	DGS (1)	M	1	2	DG Information

Standard			Implementation	
Bez	Name	St Format	St Format	Anwendung / Bemerkung
DGS				
8273	Dangerous goods regulations code	C an..3	C an..3	IMD IMO IMDG code
C205	Hazard code	C	M	
8351	Hazard identification code	M an..7	M an..7	DG Code
8078	Additional hazard classification identifier	C an..7	N	Not used
8092	Hazard code version identifier	C an..10	N	Not used
C234	UNDG information	C	M	
7124	United Nations Dangerous Goods (UNDG) identifier	C n4	R n4	UNDG Code Field (EXS): UNDG Code
7088	Dangerous goods flashpoint value	C an..8	N	Not used
C223	Dangerous goods shipment flashpoint	C	C	
7106	Shipment flashpoint value	C n3	O n3	Flashpoint
6411	Measurement unit code	C an..3	D an..3	CEL degree Celsius FAH degree Fahrenheit Should be provided if a flashpoint is given
8339	Packaging danger level code	C an..3	O an..3	Packing Group
8364	Emergency procedure for ships identifier	C an..6	N	Not used
8410	Hazard medical first aid guide identifier	C an..4	N	Not used
8126	Transport emergency card identifier	C an..10	N	Not used
C235	Hazard identification placard details	C	N	
8158	Orange hazard placard upper part identifier	C an..4	N	Not used
8186	Orange hazard placard lower part identifier	C an4	N	Not used
C236	Dangerous goods label	C	N	
8246	Dangerous goods marking identifier	C an..4	N	Not used
8246	Dangerous goods marking identifier	C an..4	N	Not used
8246	Dangerous goods marking identifier	C an..4	N	Not used
8255	Packing instruction type code	C an..3	N	Not used
8325	Hazardous means of transport category code	C an..3	N	Not used
8211	Hazardous cargo transport authorisation code	C an..3	N	Not used

Remark:**Example:**

DGS+IMD+3.1+9999+999:CEL+1'



IMP - Manifest



Counte	No	Name	St	MaxOcc	Ebene	Level
0890		SG18 (1)	R	999	1	GID-TMP-RNG-LOC-PIA-FTX-SG20-SG22-SG23-SG27-SG30
1410		SG30 (1)	O	99	2	DGS-FTX
1430	65	FTX (1)	O	1	3	Technical name (DGS)

Standard			Implementation	
Bez	Name	St Format	St Format	Anwendung / Bemerkung
FTX				
4451	Text subject code qualifier	M an..3	M an..3	AAD Dangerous goods, technical name
4453	Free text function code	C an..3	N	Not used
C107	Text reference	C	N	
4441	Free text value code	M an..17	N	Not used
1131	Code list identification code	C an..17	N	Not used
3055	Code list responsible agency code	C an..3	N	Not used
C108	Text literal	C	R	
4440	Free text value	M an..512	R an..70	DG Technical Name
4440	Free text value	C an..512	O an..70	
4440	Free text value	C an..512	O an..70	
4440	Free text value	C an..512	O an..70	
4440	Free text value	C an..512	O an..70	
3453	Language name code	C an..3	N	Not used
4447	Free text format code	C an..3	N	Not used

Remark:

Example:

FTX+AAD+++X:X:X:X'



IMP - Manifest



Counte	No	Name	St	MaxOcc	Ebene	Level
--------	----	------	----	--------	-------	-------

1550 **SG35 (1)** D 99999 1 **EQD-MEA-DIM-SEL-TPL-FTX-RFF-SG37**

Remark: This segment group has become mandatory in version 1.7. In order to ensure backward compatibility to version 1.6, please consider rules as follows:

For containerised goods and vehicles this group is mandatory.

For break bulk, it is optional in IMP, but the usage is recommended.

SG35 is mandatory in general, if BIP is the processing system.

1560 66 **EQD (1)** M 1 1 **Container Information**

Standard			Implementation	
Bez	Name	St Format	St Format	Anwendung / Bemerkung
EQD				
8053	Equipment type code qualifier	M an..3	M an..3	CN Container VIN Vehicle Identification Number BB Stückgut
C237	Equipment identification	C	M	
8260	Equipment identifier	C an..17	R an..17	Container Number, Vehicle Identification Number (in case of car transport) or B/L number (break bulk)
1131	Code list identification code	C an..17	N	Not used
3055	Code list responsible agency code	C an..3	N	Not used
3207	Country name code	C an..3	N	Not used
C224	Equipment size and type	C	D	Mandatory for containers.
8155	Equipment size and type description code	C an..10	D an..10	Container SizeType (accd. ISO); Mandatory if element 8053 in this segment has the value 'CN'
1131	Code list identification code	C an..17	N	Not used
3055	Code list responsible agency code	C an..3	N	Not used
8154	Equipment size and type description	C an..35	N	Not used
8077	Equipment supplier code	C an..3	D an1	1 Shipper supplied 2 Carrier supplied Shipper's Own Indicator; Mandatory if element 8053 in this segment has the value 'CN'
8249	Equipment status code	C an..3	N	Not used
8169	Full or empty indicator code	C an..3	D an1	4 Empty 5 Full Full/Empty Indicator; Mandatory if element 8053 in this segment has the value 'CN'

Remark:

Example:

EQD+CN+CARR3322115+22G0+1++4'



IMP - Manifest



Counte	No	Name	St	MaxOcc	Ebene	Level
1550		SG35 (1)	D	99999	1	EQD-MEA-DIM-SEL-TPL-FTX-RFF-SG37
1590	67	MEA (1)	O	2	2	Measurements

Standard			Implementation	
Bez	Name	St Format	St Format	Anwendung / Bemerkung
MEA				
6311	Measurement purpose code qualifier	M an..3	M an..3	AAE Measurement
C502	Measurement details	C	M	
6313	Measured attribute code	C an..3	R an..3	T Tare weight G Gross weight
6321	Measurement significance code	C an..3	N	Not used
6155	Non-discrete measurement name code	C an..17	N	Not used
6154	Non-discrete measurement name	C an..70	N	Not used
C174	Value/range	C	R	
6411	Measurement unit code	M an..3	R an..3	KGM kilogram
6314	Measurement value	C an..18	R an..18	
6162	Range minimum value	C n..18	N	Not used
6152	Range maximum value	C n..18	N	Not used
6432	Significant digits quantity	C n..2	N	Not used
7383	Surface or layer code	C an..3	N	Not used

Remark:

Example:

MEA+AAE+T+KGM:4000'



IMP - Manifest



Counte	No	Name	St	MaxOcc	Ebene	Level
--------	----	------	----	--------	-------	-------

1550		SG35 (1)	D	99999	1	EQD-MEA-DIM-SEL-TPL-FTX-RFF-SG37
------	--	-------------------	---	-------	---	----------------------------------

1600	68	DIM (1)	O	5	2	Dimensions
------	----	------------------	---	---	---	------------

Remark: Off dimension information

Standard			Implementation	
Bez	Name	St Format	St Format	Anwendung / Bemerkung
DIM				
6145	Dimension type code qualifier	M an..3	M an..3	5 Off-standard dimension front 6 Off-standard dimension back 7 Off-standard dimension right 8 Off-standard dimension left 9 Off-standard dimension general
C211	Dimensions	M	R	At least one value has to be set.
6411	Measurement unit code	M an..3	M an..3	CMT centimetre
6168	Length dimension value	C n..15	D n..4	Length
6140	Width dimension value	C n..15	D n..4	Width
6008	Height dimension value	C n..15	D n..4	Height

Remark:

Example:

DIM+9+CMT:9:9:9'



IMP - Manifest



Counte	No	Name	St	MaxOcc	Ebene	Level
--------	----	------	----	--------	-------	-------

1550		SG35 (1)	D	99999	1	EQD-MEA-DIM-SEL-TPL-FTX-RFF-SG37
------	--	-------------------	---	-------	---	----------------------------------

1610	69	SEL (1)	O	99	2	Seal IDs
------	----	------------------	---	----	---	----------

Standard			Implementation	
Bez	Name	St Format	St Format	Anwendung / Bemerkung
SEL				
9308	Seal identifier	C an..35	R an..20	Seal Number
C215	Seal issuer	C	R	
9303	Sealing party name code	C an..3	R an..3	AB Unknown Seal issuer. Currently, only code AB for "unknown" is allowed
1131	Code list identification code	C an..17	N	Not used
3055	Code list responsible agency code	C an..3	N	Not used
9302	Sealing party name	C an..35	N	Not used
4517	Seal condition code	C an..3	N	Not used
C208	Identity number range	C	N	
7402	Object identifier	M an..35	N	Not used
7402	Object identifier	C an..35	N	Not used

Remark:**Example:**

SEL+1210404+AB'



IMP - Manifest



Counte	No	Name	St	MaxOcc	Ebene	Level
--------	----	------	----	--------	-------	-------

1550		SG35 (1)	D	99999	1	EQD-MEA-DIM-SEL-TPL-FTX-RFF-SG37
------	--	-------------------	---	-------	---	----------------------------------

1620	70	TPL (1)	O	1	2	Transport placement
------	----	------------------	---	---	---	---------------------

Standard			Implementation	
Bez	Name	St Format	St Format	Anwendung / Bemerkung
TPL				
C222	Transport identification	M	M	
8213	Transport means identification name identifier	C an..9	R an..9	BARGE RAIL SEA TRUCK On carriage transport mode. Code "BARGE" includes any inland waterway transport.
1131	Code list identification code	C an..17	N	Not used
3055	Code list responsible agency code	C an..3	N	Not used
8212	Transport means identification name	C an..35	O an..35	
8453	Transport means nationality code	C an..3	N	Not used

Remark:**Example:**

TPL+SEA:::MS Montana'



IMP - Manifest



Counte	No	Name	St	MaxOcc	Ebene	Level
--------	----	------	----	--------	-------	-------

1550		SG35 (1)	D	99999	1	EQD-MEA-DIM-SEL-TPL-FTX-RFF-SG37
------	--	-------------------	---	-------	---	----------------------------------

1650	71	FTX (1)	O	1	2	Free text
------	----	------------------	---	---	---	-----------

Standard			Implementation	
Bez	Name	St Format	St Format	Anwendung / Bemerkung
FTX				
4451	Text subject code qualifier	M an..3	M an..3	ACQ Off-dimension information
4453	Free text function code	C an..3	N	Not used
C107	Text reference	C	N	
4441	Free text value code	M an..17	M an..17	
1131	Code list identification code	C an..17	N	Not used
3055	Code list responsible agency code	C an..3	N	Not used
C108	Text literal	C	R	
4440	Free text value	M an..512	R an..512	Textual information about oversized equipment
4440	Free text value	C an..512	N	Not used
4440	Free text value	C an..512	N	Not used
4440	Free text value	C an..512	N	Not used
4440	Free text value	C an..512	N	Not used
3453	Language name code	C an..3	N	Not used
4447	Free text format code	C an..3	N	Not used

Remark:

Example:

FTX+ACQ+++X'



IMP - Manifest



Counte	No	Name	St	MaxOcc	Ebene	Level
--------	----	------	----	--------	-------	-------

1550 **SG35** (1) D 99999 1 EQD-MEA-DIM-SEL-TPL-FTX-RFF-SG37

1660 72 **RFF** (1) O 9 2 Reference

Remark: System specific voyage numbers (BIP or IMP)

Standard			Implementation	
Bez	Name	St Format	St Format	Anwendung / Bemerkung
RFF				
C506	Reference	M	M	
1153	Reference code qualifier	M an..3	M an..3	SIS SIS Number DAK DAKOSY conveyance number The SIS number is applicable in dbh's BIP-system. The DAKOSY voyage number is applicable in IMP (Hamburg)
1154	Reference identifier	C an..70	R an..70	Remark (ZAPP): Format: AN3 - DAKOSY-liner agent's code AN4 - identifier
1156	Document line identifier	C an..6	N	Not used
4000	Reference version identifier	C an..35	N	Not used
1060	Revision identifier	C an..6	N	Not used

Remark:

Example:

RFF+SIS:ABCD0001W'

RFF+DAK:DKL4711'

RFF+DAK:MAE3A11'



IMP - Manifest



Counte	No	Name	St	MaxOcc	Ebene	Level
--------	----	------	----	--------	-------	-------

1550		SG35 (1)	D	99999	1	EQD-MEA-DIM-SEL-TPL-FTX-RFF-SG37
------	--	-------------------	---	-------	---	----------------------------------

1660	73	RFF (2)	O	9	2	Booking number
------	----	------------------	---	---	---	----------------

Standard			Implementation	
Bez	Name	St Format	St Format	Anwendung / Bemerkung
RFF				
C506	Reference	M	M	
1153	Reference code qualifier	M an..3	M an..3	BN Booking reference number
1154	Reference identifier	C an..70	R an..35	Carrier's booking reference
1156	Document line identifier	C an..6	N	Not used
4000	Reference version identifier	C an..35	N	Not used
1060	Revision identifier	C an..6	N	Not used

Remark:

Example:

RFF+BN:HKG10X00102'



IMP - Manifest



Counte	No	Name	St	MaxOcc	Ebene	Level
--------	----	------	----	--------	-------	-------

1550		SG35 (1)	D	99999	1	EQD-MEA-DIM-SEL-TPL-FTX-RFF-SG37
------	--	-------------------	---	-------	---	----------------------------------

1660	74	RFF (3)	D	9	2	Customs Reference to summary declaration (ATB no)
------	----	------------------	---	---	---	---

Remark (ZAPP): If no registration number is provided, this will be interpreted as "A summary declaration of temporary storage was not required"

Remark (SumA): ATB Number. Mandatory when updating or confirming an existing preliminary/partially confirmed SumA.

Standard			Implementation	
Bez	Name	St Format	St Format	Anwendung / Bemerkung
RFF				
C506	Reference	M	M	
1153	Reference code qualifier	M an..3	M an..3	XC Cargo control number
1154	Reference identifier	C an..70	R an..21	
1156	Document line identifier	C an..6	N	Not used
4000	Reference version identifier	C an..35	N	Not used
1060	Revision identifier	C an..6	N	Not used

Remark:

Example:

RFF+XC:ATB120005410540540'



IMP - Manifest



Counte	No	Name	St	MaxOcc	Ebene	Level
--------	----	------	----	--------	-------	-------

1550 **SG35** (1) D 99999 1 **EQD-MEA-DIM-SEL-TPL-FTX-RFF-SG37**

Remark: This segment group has become mandatory in version 1.7. In order to ensure backward compatibility to version 1.6, please consider rules as follows:

For containerised goods and vehicles this group is mandatory.

For break bulk, it is optional in IMP, but the usage is recommended.

SG35 is mandatory in general, if BIP is the processing system.

1750 **SG37** (1) O 1 2 **NAD**

Remark: Container Operator

1760 75 **NAD** (1) M 1 2 **Name and address**

Standard			Implementation	
Bez	Name	St Format	St Format	Anwendung / Bemerkung
NAD				
3035	Party function code qualifier	M an..3	M an..3	CF Container operator/lessee
C082	Party identification details	C	C	
3039	Party identifier	M an..35	M an..35	SCAC Code of the on carriage container operator
1131	Code list identification code	C an..17	N	Not used
3055	Code list responsible agency code	C an..3	N	Not used
C058	Name and address	C	R	
3124	Name and address description	M an..35	O an..35	Empty container return depot
3124	Name and address description	C an..35	N	Not used
3124	Name and address description	C an..35	N	Not used
3124	Name and address description	C an..35	N	Not used
3124	Name and address description	C an..35	N	Not used
C080	Party name	C	N	
3036	Party name	M an..35	N	Not used
3036	Party name	C an..35	N	Not used
3036	Party name	C an..35	N	Not used
3036	Party name	C an..35	N	Not used
3036	Party name	C an..35	N	Not used
3045	Party name format code	C an..3	N	Not used
C059	Street	C	N	
3042	Street and number or post office box identifier	M an..35	N	Not used
3042	Street and number or post office box identifier	C an..35	N	Not used
3042	Street and number or post office box identifier	C an..35	N	Not used
3042	Street and number or post office box identifier	C an..35	N	Not used
3164	City name	C an..35	N	Not used
C819	Country sub-entity details	C	N	
3229	Country sub-entity name code	C an..9	N	Not used
1131	Code list identification code	C an..17	N	Not used
3055	Code list responsible agency code	C an..3	N	Not used
3228	Country sub-entity name	C an..35	N	Not used
3251	Postal identification code	C an..17	N	Not used
3207	Country name code	C an..3	N	Not used

Remark:



Example:

NAD+CF+DAKO+DAK'



IMP - Manifest



Counte	No	Name	St	MaxOcc	Ebene	Level
--------	----	------	----	--------	-------	-------

1870	76	UNT (1)	M	1	0	Message trailer
------	----	------------------	---	---	---	-----------------

		Standard		Implementation		
Bez	Name	St	Format	St	Format	Anwendung / Bemerkung
UNT						
0074	Number of segments in the message	M	n..6	M	n..6	
0062	Message reference number	M	an..14	M	an..14	

Remark:

Example:

UNT+90+20100122171055 '



IMP - Manifest



Counte	No	Name	St	MaxOcc	Ebene	Level
--------	----	------	----	--------	-------	-------

0000 77 **UNZ** (1) M 1 0 Interchange trailer

		Standard		Implementation		
Bez	Name	St	Format	St	Format	Anwendung / Bemerkung
UNZ						
0036	Interchange control count	M	n..6	M	n..6	
0020	Interchange control reference	M	an..14	M	an..14	

Remark:

Example:

UNZ+1+20100123100000'